



Operating Manual

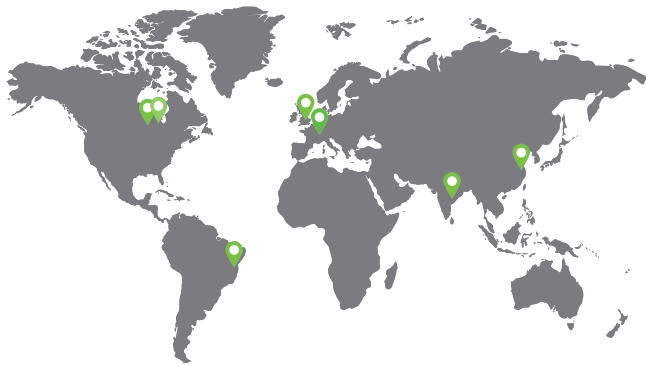
Manual de operación

Manuel d'utilisation

Bedienungsanleitung

操作手册

Y-6 AC Magnetic Yoke
Y-7 AC/DC Magnetic Yoke
Y-8 DC Magnetic Yoke



155 Harlem Avenue,
Glenview, Illinois 60025 USA
+1 847-657-5300
www.magnaflux.com

Fax: +1 847-657-5388
support@magnaflux.com

Version: 2.A.06182021



Y-6 Yoke



Y-7 Yoke



Y-8 Yoke

Part Numbers:

Y-6 Yoke: 630404, 630405

Y-7 Yoke: 43509, 620741, 625643, 625644

Y-8 Yoke: 628994, 630540, 630550

PRODUCT SPECIFICATIONS

Model	Y-6	Y-7	Y-8
Waveform	AC	AC / HWDC	DC
Leg Span / Pole Spacing	2.0-11.0 in / 51-27.9 cm		
Leg / Pole Contact Size	1.00 x 1.00 in / 25.4 x 25.4 mm		
Cord Length	12 ft / 3.7 m		6 ft / 1.8 m
Duty Cycle	25%, maximum on time 90 sec		
Lift Strength (4-6 in / 100-150 mm spacing)	> 10 lb / 4.5 kg	AC: > 10 lb / 4.5 kg HWDC: > 50 lb / 22.7 kg	50 lb / 22.7 kg
Magnetic Field	2.5 kA/m at 6 in / 152 mm spacing		9.8 kA/m at 6 in / 152 mm spacing
Dimensions	7.5 x 2.0 x 10 in / 190 x 51 x 254 mm	7.5 x 2.0 x 12 in / 190 x 51 x 305 mm	7.5 x 2.0 x 10 in / 190 x 51 x 254 mm
Weight	8.0 lb / 3.6 kg	8.3 lb / 3.8 kg	Yoke: 8.0 lb / 3.6 kg Battery: 5.2 lb / 2.4 kg
Ingress Protection (IEC 60529)	IP 54		
Grounding	Complies with IEC 61010-1 grounding requirements		
Electrical	115 VAC, 60 Hz, 6.0 A max 230 VAC, 50/60 Hz, 2.7 A max		6 VDC, 4 A max
Battery Capacity	N/A		6 VDC, 12 A-hr
Battery Charger	N/A		NA CEC: 115 V, 60 Hz, 1.25A max Global: 100-240 V, 50/60 Hz, 0.2A max
Environmental	32-120°F / 0-49°C, up to 100% RH non-condensing, up to 16,300 ft / 5,000 m altitude		
Regulatory	Designed for Mains +/- 10%, Overvoltage Category II, Wet locations, Pollution Degree 2 environment		



OPERATION

- Y-8 Model Only: Charge battery before use.
- Connect yoke to power supply / battery pack.
- Select AC or DC operating mode using switch on back of yoke.
WARNING: Do not operate selector switch while yoke is energized.
- Position yoke legs at right angles to the direction of suspected discontinuities. Adjust legs as needed for best contact with surface.
- Depress trigger to energize yoke. Apply magnetic particles to area between legs.
 - If using dry powder, blow off excess while yoke is energized to reveal indications.
 - If using fluorescent particles, view surface with UV-A in darkened environment to reveal indications.
- Evaluate indications for size, shape, and relevant location.
- Reposition yoke legs at 90-degrees to previous position and repeat steps 4-5 to reveal indications in all directions.
- Y-6 and Y-7 Models Only: Demagnetize by energizing yoke then slowly withdrawing it from the surface, up to 18 in / 45 cm distance. NOTE: Use AC mode for demagnetization.

ACCESSORIES

Part Number	Description
624115	Calibrated Test Weight, 10 Lb
169799	Pie Field Gage
008M004	Magnetic Flux Indicators, set of 5
2480	Field Indicator Gauge, 10 Gauss

MAINTENANCE

- Use mild soap and a damp cloth to clean the yoke housing.
- Do not spray yoke housing or immerse any part of yoke in liquid.
- Legs may be detached at the joints for cleaning.
- Use a rust-preventative spray (LPS-2 or equivalent) on legs for lubrication.

Battery Charging

- Recharge battery after every 8-10 hours of use or if stored for extended time.
- Extreme discharge of battery will reduce battery life.
- Connect battery to charger before plugging charger into line power.
- Typical charging time is approximately 1.25 hours per 1 hour of use.
- Typical use over 8-10 hour shift would require 10-12 hours to recharge.

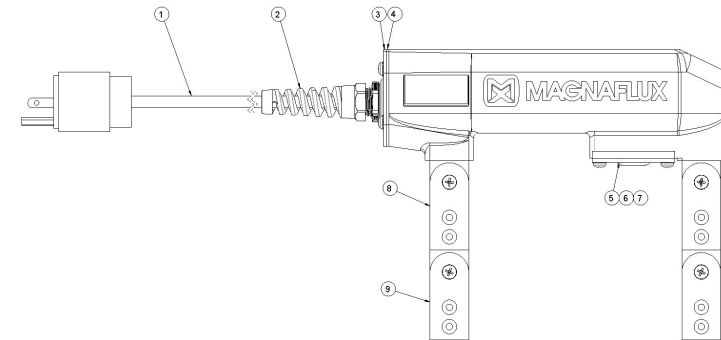
SERVICE

	WARNING Disconnect coil from line power before any disassembly or service.
	CAUTION To assure product safety and reliability, repairs should be performed by Magnaflux Authorized Service Center using original parts.
	WARNING If the AC/DC Conversion Assembly or the switch is replaced, gasketing must be inspected for integrity and replaced as needed. Failure to do so may allow liquid intrusion during use, which can result in electrical shock hazard and permanent damage to the yoke.

TROUBLESHOOTING

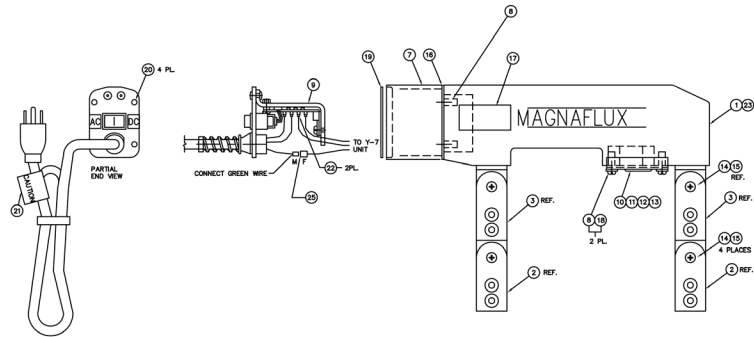
Problem	Possible Cause	Possible Solution
Yoke will not energize	Cord Unplugged	Plug cord into a fully grounded outlet or extension cord
	Damaged or defective cord	Contact Authorized Service Center to repair or replace cord
	Damaged or defective switch	Contact Authorized Service Center to repair or replace switch
	Blown fuse or breaker in power supply	Reset breaker or replace fuse
	Defective extension cord	Replace extension cord
	Tripped GFI	Reset GFI button
Yoke will not lift test weight	Foot sections of legs are worn or rounded	File or grind feet back to original flat condition or replace
	Foot sections turned and not making full contact	Adjust feet to make flat full contact with weight
	Extension cord too light to supply adequate current	See table in precautions section for proper size
Legs still or do not move	Leg bolts too tight	Loosen slightly with properly sized wrench
	Legs rusted at joints	Remove bolts and legs and clean with wire brush to remove rust. Reassemble using a rust remover/preventer such as LPS-2 or equivalent. Retighten bolts until legs are tight but still move freely.

Y-6 YOKE FIGURES & PARTS



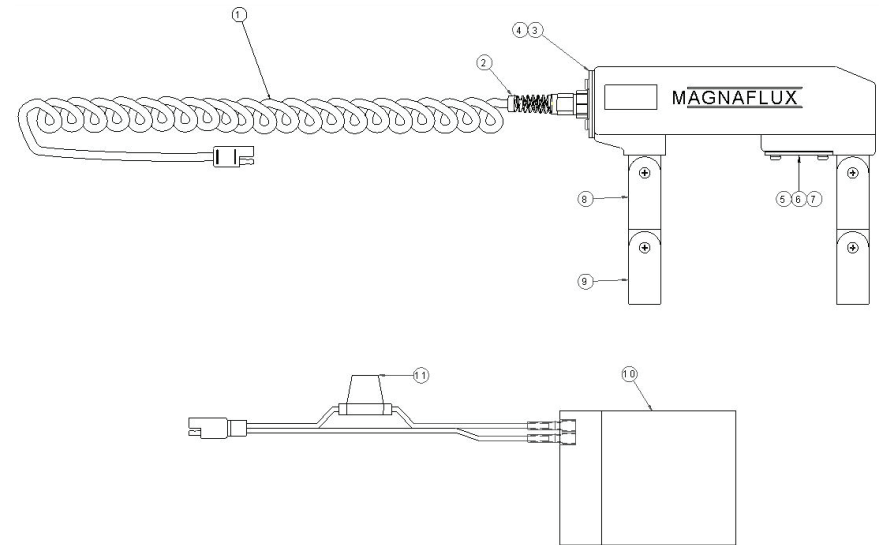
Index	Part Number	Qty	Description
1	630487	1	CORD ASSY, NA 115V (TYPE B PLUG)
	630399	1	CORD ASSY, EU 230V (TYPE F PLUG, TYPE G ADAPTER)
2	630434	1	CORD GRIP
3	630408	1	COVER, REAR
4	630407	1	GASKET, COVER
5	43526	1	COVER, SWITCH
6	43527	1	DIAPHRAGM, SWITCH
7	4944	1	SWITCH
8	55176	2	LEG ASSEMBLY
9	55175	2	FOOT ASSEMBLY
	628099	1	ADAPTER, PLUG, TYPE F TO TYPE G, REPLACEMENT FUSE BS1362 13A

Y-7 YOKE FIGURES & PARTS



Index	Part Number	Qty	Description
1	43531	1	MOLDED YOKE
2	55175	2	FOOT ASSEMBLY
3	55176	2	LEG ASSEMBLY
7	620453	1	HOUSING
8	513977	6	INSERT NUT
9	620457	1	AC/DC CONVERSION ASSY, 115V NOTE: ASSY INCLUDES PCB, SWITCH, CORD AND COVER
	620458	1	AC/DC CONVERSION ASSY, 230V NOTE: ASSY INCLUDES PCB, SWITCH, CORD AND COVER
10	43526	1	SWITCH COVER
11	43527	1	SWITCH DIAPHRAGM
12	4944	1	SWITCH
16	620764	1	GASKET, HOUSING
19	620455	1	GASKET, COVER

Y-8 YOKE FIGURES & PARTS



Index	Part Number	Qty	Description
1	629968	1	CORD ASSY, COILED, Y-8
2	630434	1	CORD GRIP
3	630408	1	COVER, REAR
4	630407	1	GASKET, COVER
5	43526	1	COVER, SWITCH
6	43527	1	DIAPHRAGM, SWITCH
7	4944	1	SWITCH
8	55176	2	LEG ASSEMBLY
9	55175	2	FOOT ASSEMBLY
10	520795	1	BATTERY ASSY, 6V, 12AH, NONHAZARDOUS
11	-	1	Fuse, AB19, 15A

EU DECLARATION OF CONFORMITY

In accordance with EN ISO 17050-1:2010

Object of the declaration:

Product: AC Yoke
 Model/type: Y-6, Y-8
 Manufacturer: Magnaflux
 Address: 155 Harlem Avenue, Glenview, IL 60025, USA

This declaration is issued under the sole responsibility of the manufacturer.

The object of the declaration described above is in conformity with the relevant Union harmonisation legislation:

2014/35/EU The Low Voltage Directive
 2014/30/EU The Electromagnetic Compatibility Directive
 2009/125/EC Eco Design Directive

Conformity is shown by compliance with the applicable requirements of the following documents:

Reference & Date	Title
EN61010-1:2010+A1:2019	Safety requirements for electrical equipment for measurement, control, and laboratory use - Part 1: General requirements
IEC 61326-1:2020	Electrical equipment for measurement, control and laboratory use - EMC requirements - Part 1: General requirements
EN ISO 9934-3:2015	Non-destructive testing – Magnetic particle testing – Part 3: Equipment

Signed for and on behalf of: Magnaflux
 Place of issue: DeWitt, Iowa, United States of America
 Date of issue: December 2020
 Name: Mike Fryauf
 Position: Engineering Manager

Signature: 

UKCA DECLARATION OF CONFORMITY

In accordance with EN ISO 17050-1:2010

Object of the declaration:

Product: AC Yoke
 Model/type: Y-6, Y-8
 Manufacturer: Magnaflux
 Address: 155 Harlem Avenue, Glenview, IL 60025, USA

This declaration is issued under the sole responsibility of the manufacturer.

The object of the declaration described above is in conformity with the relevant Union harmonisation legislation:

Electrical Equipment (Safety) Regulations 2016
 Electromagnetic Compatibility Regulations 2016
 2009/125/EC Eco Design Directive

Conformity is shown by compliance with the applicable requirements of the following documents:

Reference & Date	Title
EN61010-1:2010+A1:2019	Safety requirements for electrical equipment for measurement, control, and laboratory use - Part 1: General requirements
IEC 61326-1:2020	Electrical equipment for measurement, control and laboratory use - EMC requirements - Part 1: General requirements
EN ISO 9934-3:2015	Non-destructive testing – Magnetic particle testing – Part 3: Equipment

Signed for and on behalf of: Magnaflux
 Place of issue: DeWitt, Iowa, United States of America
 Date of issue: April 2021
 Name: Mike Fryauf
 Position: Engineering Manager

Signature: 

WARRANTY

Refer to the Magnaflux Warranty Statement at www.magnaflux.com.

SUPPORT

If you have a question please contact Magnaflux at:

1-847-657-5300
support@magnaflux.com
www.magnaflux.com

You can also contact your local Distributor or Magnaflux Authorized Service Center directly; contact information is available at www.magnaflux.com.