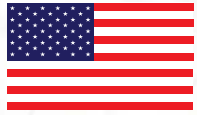


TIGMASTER®



MADE IN USA

ROCKER TIG TORCHES



- No more cable binding or twisting.
- Precise torch control.
- Less hand and wrist fatigue.
- Ideal for walking the cup.
- Flex neck and gas valve models.
- 150 & 180 amps

Weldtec® patented rocker cable connection allows the torch body to rock back and forth on the power cable without binding or twisting.



Special Rocker™ rubber power cable

TIGrig™ TTC-150G Connector(Optional)

Part No	Description	Torch Series
R-9FV-12R	12 ½ ft (3.8 m) 150 amp 9FV Series w/ Flex and Valve	9FV
R-9FV-25R	25 ft (7.6 m) 150 amp 9FV Series w/ Flex and Valve	
R-9V-12R	12 ½ ft (3.8 m) 150 amp 9V Series w/ Valve	9V
R-9V-25R	25 ft (7.6 m) 150 amp 9V Series w/ Valve	
R-17FV-12R	12 ½ ft (3.8 m) 180 amp 17FV Series w/ Flex and Valve	17FV
R-17FV-25R	25 ft (7.6 m) 180 amp 17FV Series w/ Flex and Valve	
R-17V-12R	12 ½ ft (3.8 m) 180 amp 17V Series w/ Valve	17V
R-17V-25R	25 ft (7.6 m) 180 amp 17V Series w/ Valve	

ROCKER RETRO KITS



A simple cable connector, handle, handle adaptor and the Rocker power cable transforms your 9 or 17 series torch into a Rocker style torch.

The special Rocker power cable can be retrofitted to existing torches in the field.

Part No	Description
RK-12	12½ ft (3.8 m) Retro Kit Includes: 57Y14R Rocker Cable RC-917 Connector H-150XR Adaptor H150F Handle
RK-25	25 ft (7.6 m) Retro Kit Includes: 57Y15R Rocker Cable RC-917 Connector H-150XR Adaptor H150F Handle



INDEPENDENT WHOLESALE WELDING SUPPLY

Ph: 02 8834 2400 Fax: 02 8834 2498 Email: iwws@iwws.net Website: www.iwws.net

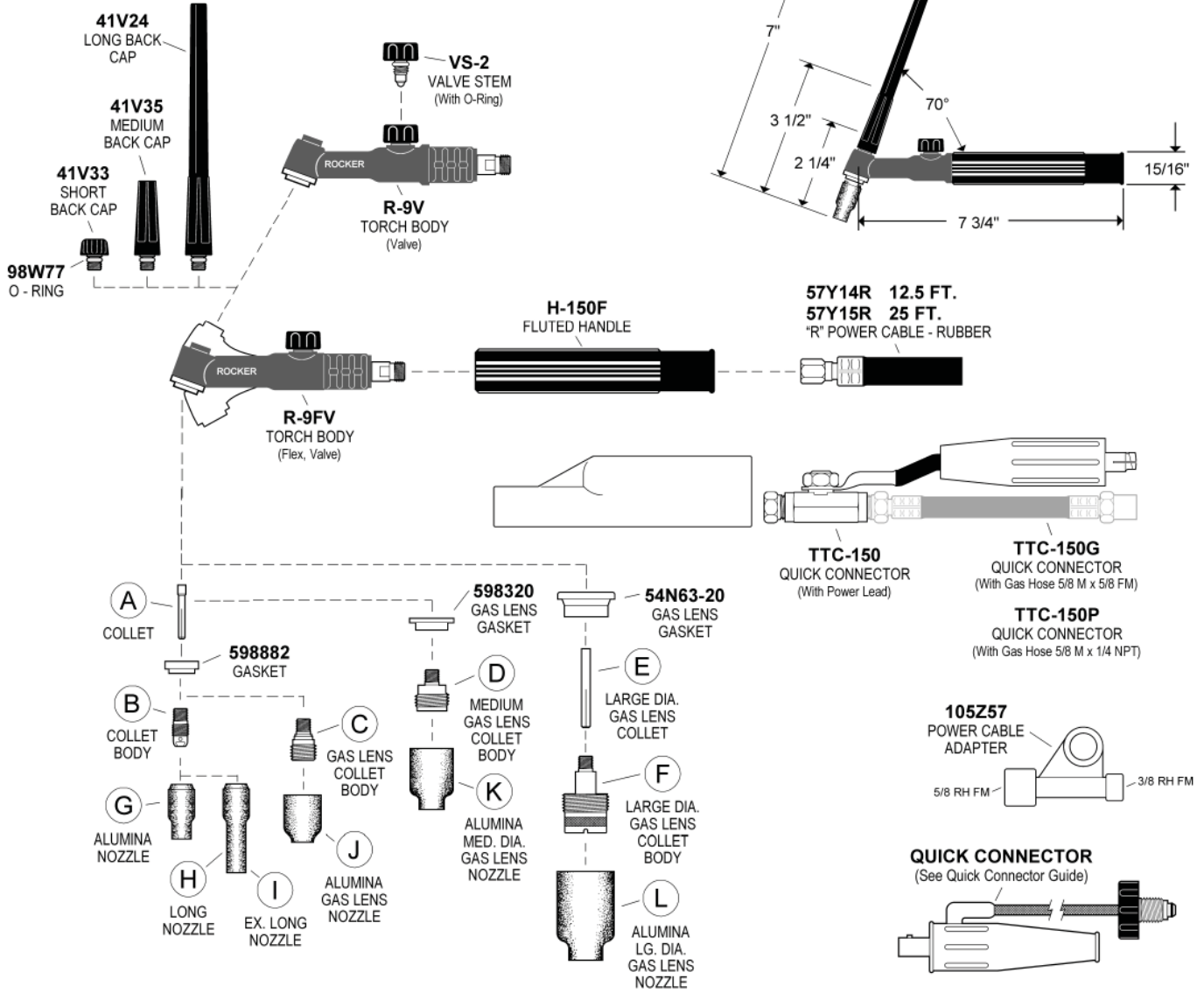
TIGMASTER®

Rocker™

... by WeldTec®

REPLACEMENT PARTS

R-9FV • R-9V
FLEX - VALVE VALVE
150 AMPS • AIR COOLED
(PATENTED)



COPYRIGHT 2014 TEC WELDING PRODUCTS, INC.

COLLETS • COLLET BODIES • GAS LENS

ITEM	ELECTRODE DIAMETER	.020 0,5	.040 1,0	1/16 1,6	3/32 2,4	1/8 3,2
A	COLLET	13N20	13N21	13N22	13N23	13N24
B	COLLET BODY	13N25	13N26	13N27	13N28	13N29
C	GAS LENS	45V41	45V42	45V43	45V44	45V45
D	MED. DIA. GAS LENS	—	—	45V35SW	45V36SW	45V37SW
E	LG. DIA GAS LENS COLLET	13N20L	13N21L	13N22L	13N23L	13N24L
F	LG. DIA GAS LENS	45V0204S		45V116S	45V64S	995795S

GAS NOZZLES

ITEM	NO. SIZE	3 3/16"	4 1/4"	5 5/16"	6 3/8"	7 7/16"	8 1/2"	10 5/8"	11 11/16"	12 3/4"
G	ALUMINA	—	13N08	13N09	13N10	13N11	13N12	13N13	—	—
H	LONG 1 7/8"	796F70	796F71	796F72	796F73	—	—	—	—	—
I	EX. LONG 2 1/2"	796F74	796F75	796F76	796F77	—	—	—	—	—
J	ALUMINA GAS LENS	—	53N58	53N59	53N60	53N61	53N61S	—	—	—
K	ALUMINA MED. DIA. GAS LENS	—	—	—	—	54N15SW	54N14SW	54N12SW	54N19	—
L	ALUMINA LG. DIA. GAS LENS	—	—	—	57N75	—	57N74	53N88	—	53N87*

Specifications and descriptions subject to change without notice.

* #15 53N89 15/16" ID X 1 7/8" Long



INDEPENDENT WHOLESALE WELDING SUPPLY

Ph: 02 8834 2400 Fax: 02 8834 2498 Email: iwws@iwws.net Website: www.iwws.net

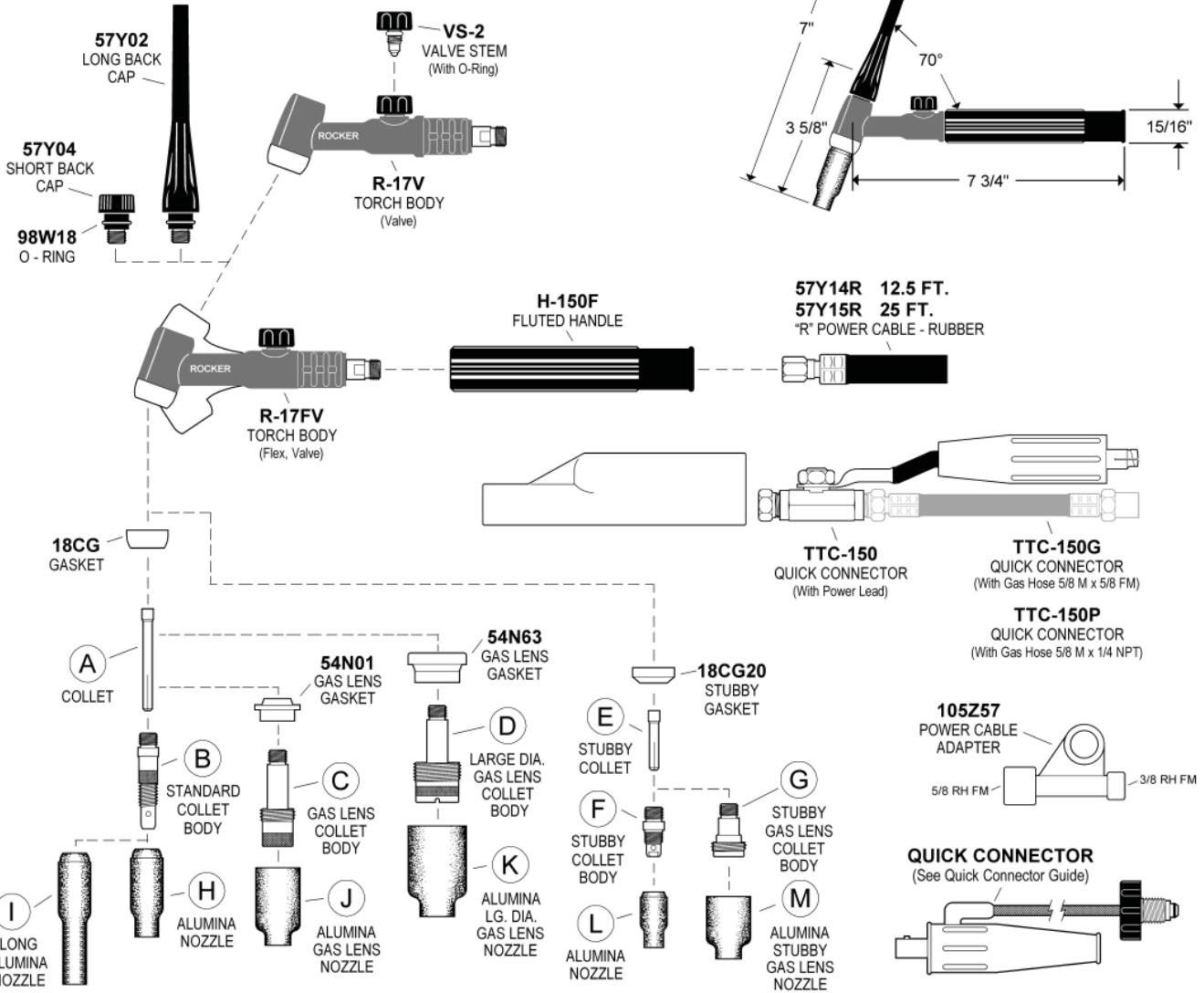
TIGMASTER®

Rocker™

... by WeldTec®

REPLACEMENT PARTS

R-17FV • R-17V
 FLEX - VALVE VALVE
 180 AMPS • AIR COOLED
 (PATENTED)



COPYRIGHT 2014 TEC WELDING PRODUCTS, INC.

COLLETS • COLLET BODIES • GAS LENS

ITEM	ELECTRODE DIAMETER	.020 0,5	.040 1,0	1/16 1,6	3/32 2,4	1/8 3,2
A	COLLET	10N21	10N22	10N23	10N24	10N25
B	STANDARD COLLET BODY	10N29	10N30	10N31	10N32	10N28
C	GAS LENS	45V29	45V24	45V25	45V26	45V27
D	LG. DIA. GAS LENS	—	—	45V116	45V64	995795
E	STUBBY COLLET	—	—	10N23S	10N24S	10N25S
F	STUBBY COLLET BODY	17CB20				
G	STUBBY GAS LENS	—	—	45V25S	45V26S	45V27S

GAS NOZZLES

ITEM	NO. SIZE	4 1/4"	5 5/16"	6 3/8"	7 7/16"	8 1/2"	10 5/8"	11 11/16"	12 3/4"
H	ALUMINA	10N50	10N49	10N48	10N47	10N46	10N45	—	10N44
I	ALUMINA 3" LONG	—	10N49L	10N48L	10N47L	—	—	—	—
J	ALUMINA GAS LENS	54N18	54N17	54N16	54N15	54N14	—	54N19	—
K	ALUMINA LG. DIA. GAS LENS	—	—	57N75	—	57N74	53N88	—	53N87*
L	ALUMINA	13N08	13N09	13N10	13N11	13N12	13N13	—	—
M	ALUMINA STUBBY GAS LENS	—	—	—	54N15SW	54N14SW	54N12SW	54N19	—

* #15 53N89 15/16" ID X 1 7/8" Long

Specifications and descriptions subject to change without notice.



INDEPENDENT WHOLESALE WELDING SUPPLY

Ph: 02 8834 2400 Fax: 02 8834 2498 Email: iwws@iwws.net Website: www.iwws.net