

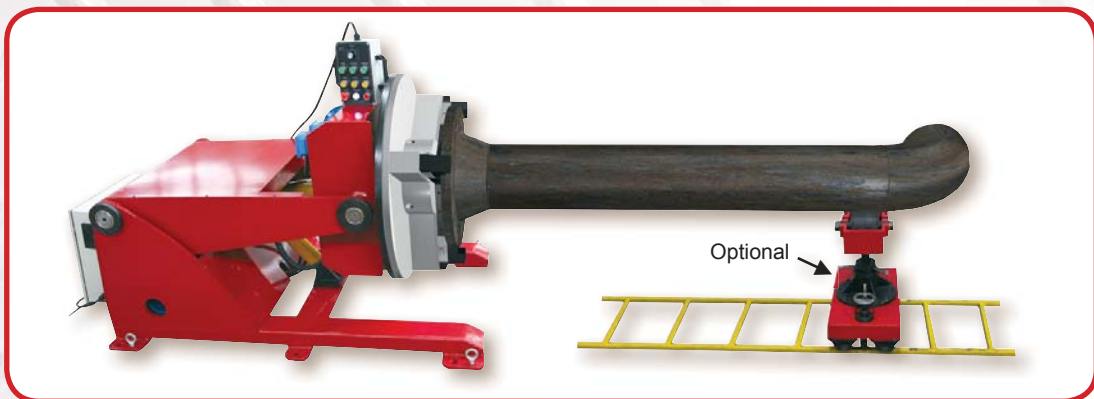
REDROCK

HYDRAULIC POSITIONER

Short or Tall this Positioner fits all



- 65" x 35" x 30" (165 x 88 x 76 cm) with 30" (76 cm) Slotted table.
- Variable table rotation speed from 0.1-1.5 RPM.
- 480V 3-phase 60Hz Power input (240V available).
- Integrated 1000 amp ground system.
- Hydraulically adjustable height with 26" (66 cm) of travel.
- 2,200 lb (997 kg) capacity at 12" (30 cm).
- 135° of tilt.
- Anti-drop flow limiting valves.
- 20' (6 m) all in one pendant with OSHA compliant kill switch.



INDEPENDENT WHOLESALE WELDING SUPPLY

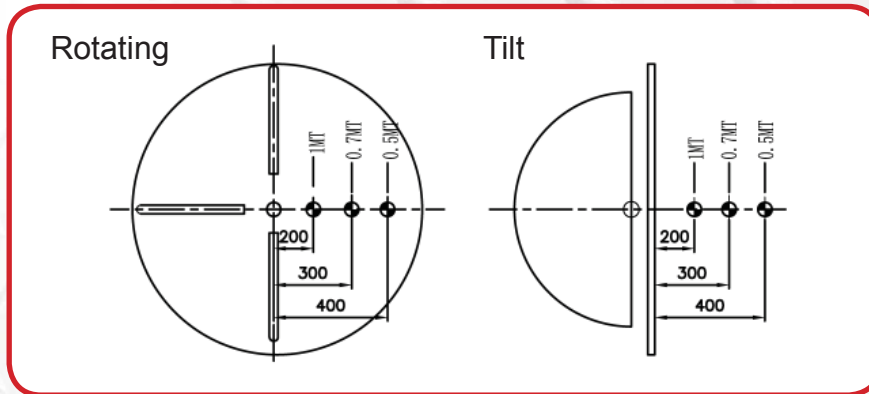
Ph: 02 8834 2400 Fax: 02 8834 2498 Email: iwws@iwws.net Website: www.iwws.net

RED ROCK

HYDRAULIC POSITIONER

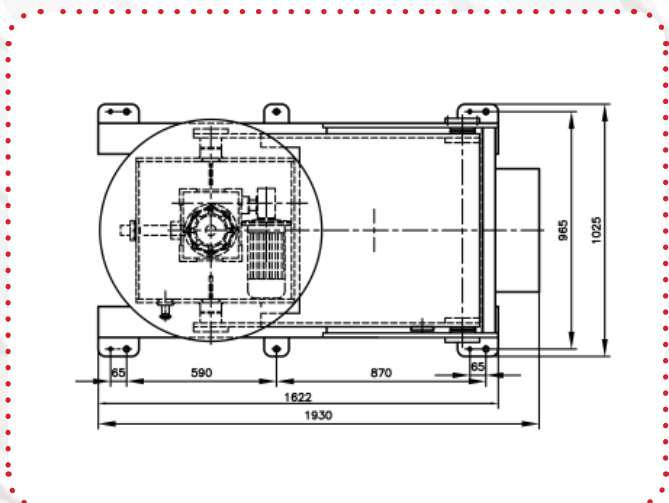
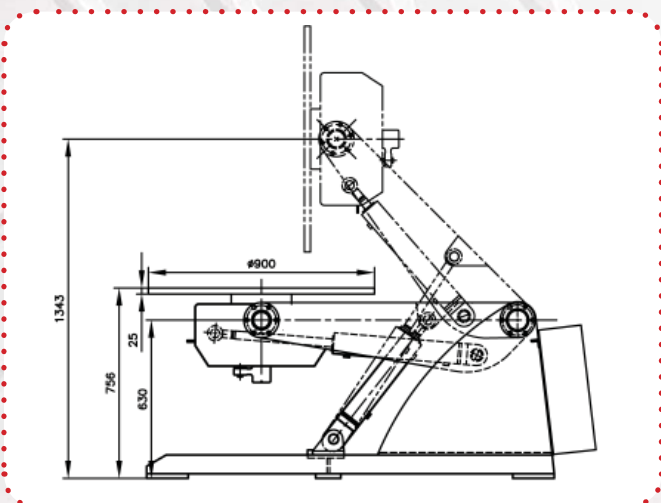
Specifications for 1T Hydraulic Positioner

Load Chart



Model	LPH1-0.9C-WE-E
Turning Capacity	1 MT @ 200 mm (please refer to load chart)
Tilting Capacity	1 MT @ 200 mm (Please refer to load chart)
Diameter of Table	Ø900 x 25 mm C/W 4 x through slot 18 mm
Tilt Range of Table	Ø ~ 135°
Rotation Speed	0.1 - 1.5 rpm at 5-50 Hz
Rotation Drive Motor	0.75 kw c/w force cooling
Rotation Drive Control	0.75 kw AC inverter
Tilt Range of Arm	0 ~ 45°
Tilt Drive and vertical	Hydraulic unit system 16 Mpa 1.1 KW 25 L
Hydraulic Cylinders	Bore - Ø90 Rodsize Ø40 and Bore - Ø70 Rodsize Ø40
Earthing	800A

Electrical Panel	Yes
Incoming Supply	380V/400V/415-3P-50HZ, 440/460/480V-3P-60HZ
Control Voltage	24V AC
Control Means	Via push button pendant c/w 6m cable
Surface Preparation	Gritblast to SA2.5
Painting	Powder Coating
Colour	RAL3003 Red & RAL9005 Black for Tilt box & Table only
Qty	1 Unit
Est Weight	782 kg
Also Available	K11-500 20" Gripper FC1050 Foot Control FC1050-FR2 Foot Switch Forward and Reverse



INDEPENDENT WHOLESALE WELDING SUPPLY

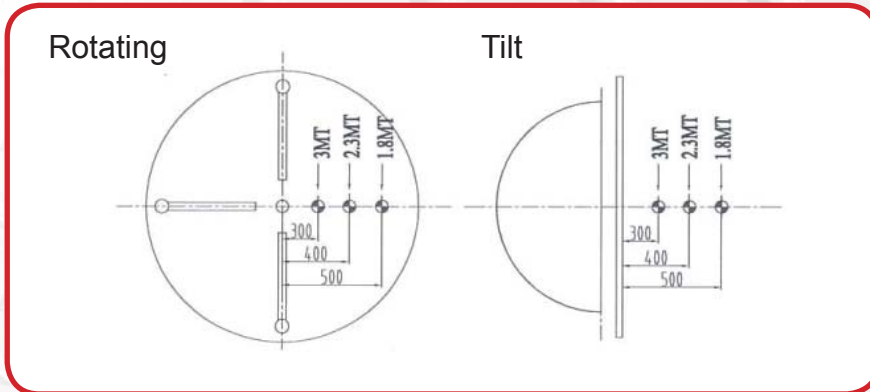
Ph: 02 8834 2400 Fax: 02 8834 2498 Email: iwws@iwws.net Website: www.iwws.net

RED ROCK

HYDRAULIC POSITIONER

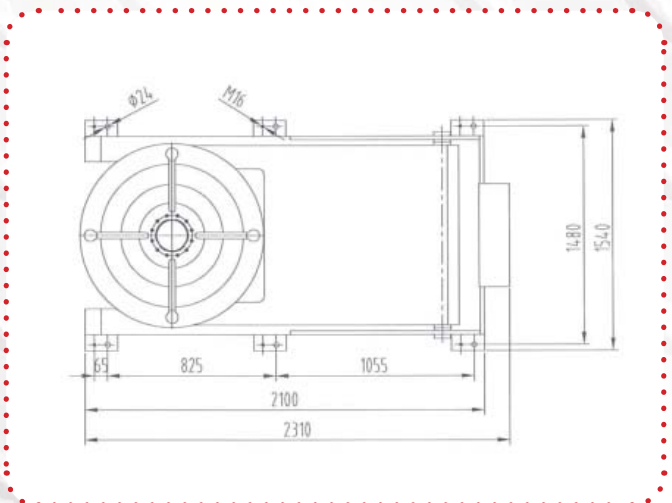
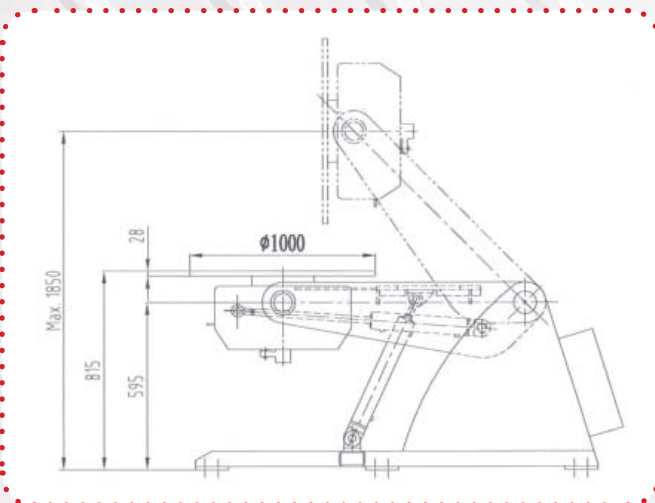
Specifications for 3T Hydraulic Positioner

Load Chart



Model	LPH3-1C-WE-E
Turning Capacity	3MT @ 300 mm (Please refer to load chart)
Tilting Capacity	3MT @ 300 mm (Please refer to load chart)
Diameter of Table	Ø1000 x 28 mm C/W 4 x Through slot 18 mm
Tilt Range of Table	0 ~ 135°
Rotation Speed	0.06 - 0.6 rpm at 5 - 50 Hz
Rotation Drive Motor	1.5 kw c/w force cooling (380/ 100 / 415V - 3P - 50Hz or 440 / 460 / 480V - 3P - 60Hz)
Rotation Drive Control	1.5 kw AC inverter
Tilt Range of Arm	0 ~ 45°
Tilt Drive and vertical	Hydraulic unit system 21 Mpa 2.2 kw 40L
Hydraulic Cylinders	Bore - Ø90 Rodsize Ø40 (Reverse) x 2 and Bore - Ø100 Rodsize Ø56 (Lift) x1

Earthing	800A
Electrical Panel	Yes
Incoming Supply	460V - 3P - 60Hz
Control Voltage	24VAC
Control Means	Via push button pendant c/w 6m cable
Surface Preparation	Gritblast to SA2.5
Painting	Powder coating
Colour	RAL3003 Red & RAL9005 Black for tilt box & table only
Qty	2 Units
Est Weight	1852 kg



INDEPENDENT WHOLESALE WELDING SUPPLY

Ph: 02 8834 2400 Fax: 02 8834 2498 Email: iwws@iwws.net Website: www.iwws.net