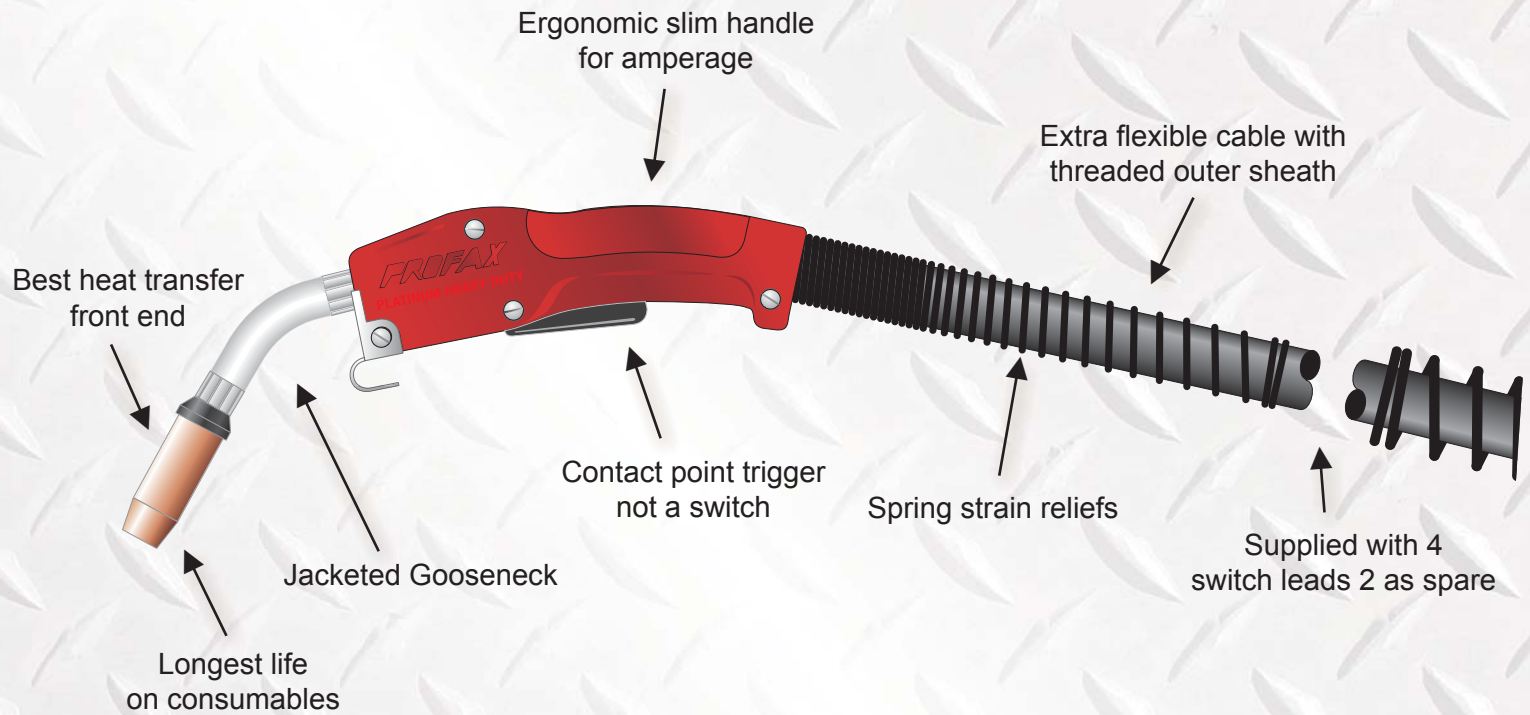




PROFAX

HEAVY DUTY MIG GUN

Available in 250, 400 & 450 amp



PART No.	DESCRIPTION
HD250303510	3 M LENGTH 0.9 MM WIRE SIZE
HD250404510	3 M LENGTH 1.2 MM WIRE SIZE
HD25005210	3 M LENGTH 1.3 MM WIRE SIZE
HD250303512	3.5 M LENGTH 0.9 MM WIRE SIZE
HD250404512	3.5 M LENGTH 1.2 MM WIRE SIZE
HD25005212	3.5 M LENGTH 1.3 MM WIRE SIZE
HD250303515	4.5 M LENGTH 0.9 MM WIRE SIZE
HD250404515	4.5 M LENGTH 1.2 MM WIRE SIZE
HD25005215	4.5 M LENGTH 1.3 MM WIRE SIZE
HD250303520	6 M LENGTH 0.9 MM WIRE SIZE
HD250404520	6 M LENGTH 1.2 MM WIRE SIZE
HD25005220	6 M LENGTH 1.3 MM WIRE SIZE
HD250303525	7.6 M LENGTH 0.9 MM WIRE SIZE
HD250404525	7.6 M LENGTH 1.2 MM WIRE SIZE
HD25005225	7.6 M LENGTH 1.3 MM WIRE SIZE

PART No.	DESCRIPTION
HD400354510	3 M LENGTH 0.9 - 1.2 MM WIRE SIZE
HD400-052-10	3 M LENGTH 1.3 MM WIRE SIZE
HD400-116-10	3 M LENGTH 1.6 MM WIRE SIZE
HD400-564-10	3 M LENGTH 2.0 MM WIRE SIZE
HD400354512	3.5 M LENGTH 0.9 - 1.2 MM WIRE SIZE
HD400-052-12	3.5 M LENGTH 1.3 MM WIRE SIZE
HD400-116-12	3.5 M LENGTH 1.6 MM WIRE SIZE
HD400-564-12	3.5 M LENGTH 2.0 MM WIRE SIZE
HD400354515	4.5 M LENGTH 0.9 - 1.2 MM WIRE SIZE
HD400-052-15	4.5 M LENGTH 1.3 MM WIRE SIZE
HD400-116-15	4.5 M LENGTH 1.6 MM WIRE SIZE
HD400-564-15	4.5 M LENGTH 2.0 MM WIRE SIZE
HD400-3545-20	6 M LENGTH 0.9 - 1.2 MM WIRE SIZE
HD400-052-20	6 M LENGTH 1.3 MM WIRE SIZE
HD400-116-20	6 M LENGTH 1.6 MM WIRE SIZE
HD400-564-20	6 M LENGTH 2.0 MM WIRE SIZE
HD400-3545-25	7.6 M LENGTH 0.9 - 1.2 MM WIRE SIZE
HD400-052-25	7.6 M LENGTH 1.3 MM WIRE SIZE
HD400-116-25	7.6 M LENGTH 1.6 MM WIRE SIZE
HD400-564-25	7.6 M LENGTH 2.0 MM WIRE SIZE

PART No.	DESCRIPTION
HD450-3545-10	3 M LENGTH 0.9 - 1.2 MM WIRE SIZE
HD450-052-10	3 M LENGTH 1.3 MM WIRE SIZE
HD450-116-10	3 M LENGTH 1.6 MM WIRE SIZE
HD450-564-10	3 M LENGTH 2.0 MM WIRE SIZE
HD450354512	3.5 M LENGTH 0.9 - 1.2 MM WIRE SIZE
HD450-052-12	3.5 M LENGTH 1.3 MM WIRE SIZE
HD45011612	3.5 M LENGTH 1.6 MM WIRE SIZE
HD450-564-12	3.5 M LENGTH 2.0 MM WIRE SIZE
HD450-3545-15	4.5 M LENGTH 0.9 - 1.2 MM WIRE SIZE
HD450-052-15	4.5 M LENGTH 1.3 MM WIRE SIZE
HD45011615	4.5 M LENGTH 1.6 MM WIRE SIZE
HD450-564-15	4.5 M LENGTH 2.0 MM WIRE SIZE
HD450-3545-20	6 M LENGTH 0.9 - 1.2 MM WIRE SIZE
HD450-052-20	6 M LENGTH 1.3 MM WIRE SIZE
HD450-116-20	6 M LENGTH 1.6 MM WIRE SIZE
HD450-564-20	6 M LENGTH 2.0 MM WIRE SIZE
HD450-3545-25	7.6 M LENGTH 0.9 - 1.2 MM WIRE SIZE
HD450-052-25	7.6 M LENGTH 1.3 MM WIRE SIZE
HD450-116-25	7.6 M LENGTH 1.6 MM WIRE SIZE
HD450-564-25	7.6 M LENGTH 2.0 MM WIRE SIZE

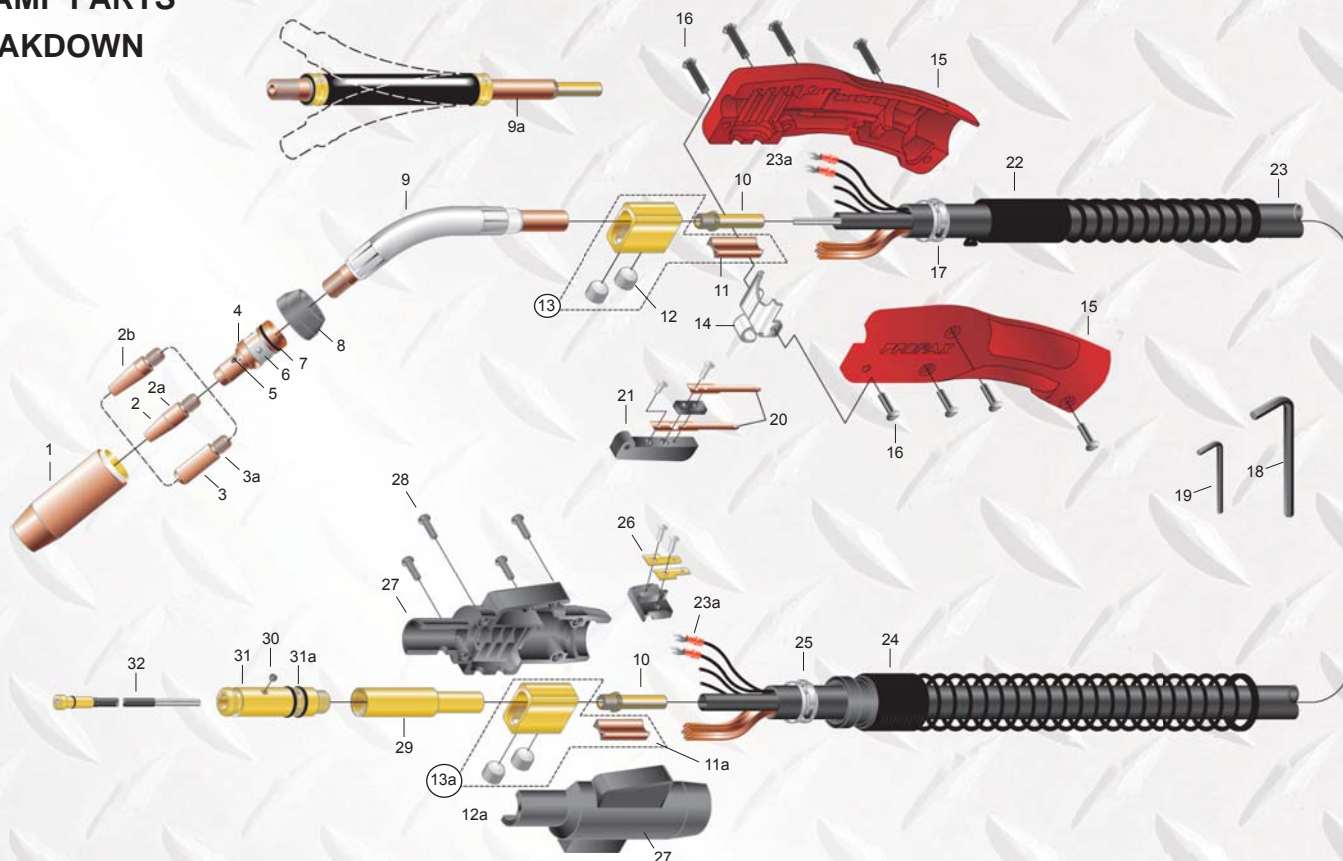


INDEPENDENT WHOLESALE WELDING SUPPLY

Ph: 02 8834 2400 Fax: 02 8834 2498 Email: iwvs@iwvs.net Website: www.iwvs.net



250 AMP PARTS BREAKDOWN



PART No.	DESCRIPTION
1	PX27S50 HD NOZZLE 12.5 MM (COPPER)
	PX27S62 HD NOZZLE 16 MM (COPPER)*
	PX27S75 HD NOZZLE 19 MM (COPPER)
	PX27S50GL HD NOZZLE 12 MM (COPPER)
	PX27S62GL HD NOZZLE 16 MM (COPPER)
	PX27S75GL HD NOZZLE 19 MM (COPPER)
	PX27T38 TAPERED NOZZLE 9.5 MM (BRASS)
	PX27T50 NOZZLE 12.5 MM BOTTLE (COPPER)
	PX27K50 MD NOZZLE 12.5 MM (COPPER)
	2
PX17ST-35 CONTACT TIP 0.9 MM	
PX17ST-40 CONTACT TIP 1.0 MM	
PX17ST-45 CONTACT TIP 1.2 MM	
PX17ST-52 CONTACT TIP 1.3 MM	
2a	PX16ST-30 CONTACT TIP 0.8 MM
	PX16ST-35 CONTACT TIP 0.9 MM
	PX16ST-40 CONTACT TIP 1.0 MM
	PX16ST-45 CONTACT TIP 1.2 MM
	PX16ST-52 CONTACT TIP 1.3 MM
2b	PX17SLT-35 CONTACT TIP 0.9 MM (USED W/27T38)
	PX17SLT-40 CONTACT TIP 1.0 MM (USED W/27T38)
	PX17SLT-45 CONTACT TIP 1.2 MM (USED W/27T38)
	PX17SLT-52 CONTACT TIP 1.3 MM (USED W/27T38)
	3
PX16S-35 CONTACT TIP 0.9 MM	
PX16S-40 CONTACT TIP 1.0 MM	
PX16S-45 CONTACT TIP 1.2 MM	
PX16S-52 CONTACT TIP 1.3 MM	
3a	PX17S-30 CONTACT TIP 0.8 MM*
	PX17S-35 CONTACT TIP 0.9 MM*
	PX17S-40 CONTACT TIP 1.0 MM*
	PX17S-45 CONTACT TIP 1.2 MM*
	PX17AS-364 CONTACT TIP 1.2 MM ALUMINIUM*

PART No.	DESCRIPTION
3a	PX17S-52 CONTACT TIP 1.3 MM*
4	PX52HD GAS DIFFUSER
5	PX44C SET SCREW FOR GAS DIFFUSER
6	PX240 RETAINING RING
7	PX260 O'RING
8	PX17SW HD SHOCK WASHER
9	PX63-30HDJ JACKETED GOOSENECK 30°
	PX63-45HDJ JACKETED GOOSENECK 45°*
	PX63-60HDJ JACKETED GOOSENECK 60°
9a	PX63-180HDJ JACKETED GOOSENECK 180°
	PXTF-3HD HD FLEXIBLE BARREL (OPTIONAL)
PXTFX-3HD HD FLEXIBLE BARREL FOR EXT HEAT	
10	PX62N NIPPLE
11	PX112 SEPARATOR
11a	PX114 SEPARATOR
12	PX1-MBP-10 18 BALL POINT SCREWS
12a	PXA532-24 9/16" BALL POINT SCREWS
13	PX102 CABLE CONNECTOR BLOCK ASSY
13a	PX104 CABLE CONNECTOR BLOCK ASSY
14	PX154HD HANGER
15	PX82HD HEAVY DUTY HANDLE W/SCREWS
16	PX122FM-SET BINDERS AND SCREWS FOR HANDLE
17	PX132-12 CLAMP - HANDLE
18	PXAL300-25 5.5 MM HEX WRENCH
19	PX44-25 2 MM HEX WRENCH
20	PX92C SWITCH CONTACTS W/SCREWS
	PX92D SWITCH ASSEMBLY DISPLAY PACK
21	PX92 TRIGGER SWITCH ASSEMBLY
22	PX142-6S SPRING STRAIN RELIEF FOR HANDLE
23	PX250-10 3 M REPLACEMENT CABLE ASSY
	PX250-12 3.5 M REPLACEMENT CABLE ASSY
	PX250-15 4.5 M REPLACEMENT CABLE ASSY
	PX250-20 6 M REPLACEMENT CABLE ASSY
	PX250-25 7.6 M REPLACEMENT CABLE ASSY

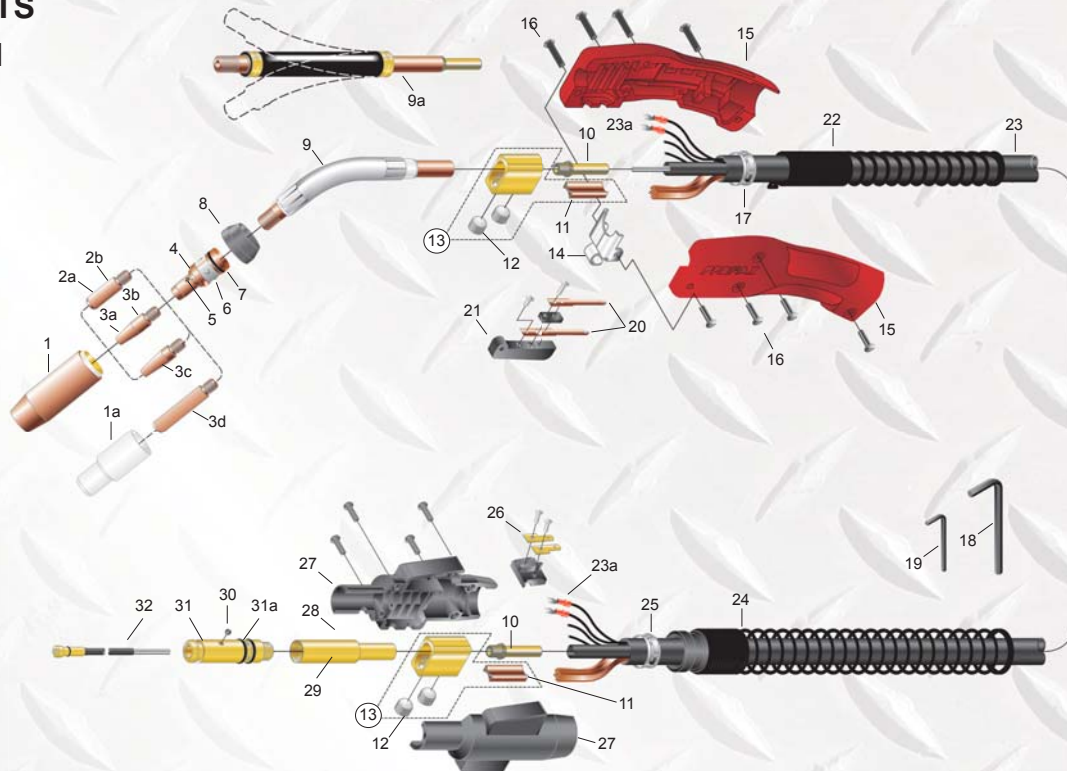
PART No.	DESCRIPTION
23	PX250-25 7.6 M REPLACEMENT CABLE ASSY
	PX250-60 18.2 M REPLACEMENT CABLE ASSY
	PX250K CABLE BULK
	PX250CK CLOTH WRAPPED CABLE FOR GUNS LONGER THAN 4.5 M
23a	PX244T TERMINAL
24	PXR185-S SPRING
25	PX132-12 CLAMP - CONNECTOR BLOCK
26	PX194 CONNECTOR TAB ASSEMBLY
27	PXR185-H HOUSING
28	PXR185-SC SCREWS FOR HOUSING
29	PXR172-UA STANDARD CONNECTOR PLUG W/62N
	PXR172-UAG CONNECTOR PLUG W/GAS HOLE W/62N
30	PX44C SET SCREW FOR CONDUIT
31	PXR174-C CONNECTOR CENTURY®
	PXR174-E CONNECTOR ESAB®
	PXR174-H CONNECTOR HOBART®
	PXR174-L CONNECTOR LINCOLN®
	PXR174-LP CONNECTOR LINCOLN® POWERMIG
	PXR174-M CONNECTOR MILLER®
	PXR174-T CONNECTOR STANDARD
	PX224 O'RING
32	PX42-23-15 4.5 M WIRE CONDUIT ASSY 0.6 MM
	PX42-3035 4.5 M WIRE CONDUIT ASSY 0.8 - 0.9 MM
	PX42-4045 4.5 M WIRE CONDUIT ASSY 1.0 - 1.2 MM
	PX42-116-15 4.5 M WIRE CONDUIT ASSY 1.3 - 1.6 MM
	PX42-3035-25 7.6 M WIRE CONDUIT ASSY 0.8 - 0.9 MM
	PX42-4045-25 7.6 M WIRE CONDUIT ASSY 1.0 - 1.2 MM
	PX42-116-25 7.6 M WIRE CONDUIT ASSY 1.3 - 1.6 MM
	PX42N3545 7.6 M TEFLON WIRE CONDUIT ALUMINIUM ASSY 0.9 - 1.2 MM

* Standard on guns



PROFAK

400 AMP PARTS BREAKDOWN



PART No.	DESCRIPTION
1	PX27S50 H.D. NOZZLE 12.5 MM COPPER
	PX27S62 H.D. NOZZLE 16 MM COPPER*
	PX27S75 H.D. NOZZLE 19 MM COPPER
	PX27S50GL H.D. NOZZLE 12.5 MM COPPER
	PX27S62GL H.D. NOZZLE 16 MM COPPER
	PX27S75GL H.D. NOZZLE 19 MM COPPER
	PX27T38 TAPERED NOZZLE 9.5 MM BRASS
	PX27T50 NOZZLE 12.5 MM BOTTLE COPPER
	PX27T50HD HD NOZZLE 12.5 MM BOTTLE COPPER
	PX27K50 M. NOZZLE 12.5 MM COPPER
1a	PX39 INSULATOR
2a	PX17S-30 CONTACT TIP 0.8 MM*
	PX17S-35 CONTACT TIP 0.9 MM*
	PX17S-40 CONTACT TIP 1.0 MM*
	PX17S-45 CONTACT TIP 1.2 MM*
	PX17AS-364 CONTACT TIP 1.2 MM ALUMINIUM*
	PX17S-52 CONTACT TIP 1.3 MM*
	PX17S-116 CONTACT TIP 1.6 MM*
	PX17AS-116 CONTACT TIP 1.6 MM ALUMINIUM*
	PX17S-564 CONTACT TIP 2.0 MM*
2b	PX16S-30 CONTACT TIP 0.8 MM
	PX16S-35 CONTACT TIP 0.9 MM
	PX16S-40 CONTACT TIP 1.0 MM
	PX16S-45 CONTACT TIP 1.2 MM
	PX16S-52 CONTACT TIP 1.3 MM
	PX16S-116 CONTACT TIP 1.6 MM
	PX16S-564 CONTACT TIP 2.0 MM
3a	PX17ST-30 CONTACT TIP 0.8 MM
	PX17ST-35 CONTACT TIP 0.9 MM
	PX17ST-40 CONTACT TIP 1.0 MM
	PX17ST-45 CONTACT TIP 1.2 MM
	PX17ST-52 CONTACT TIP 1.3 MM
	PX17ST-116 CONTACT TIP 1.6 MM
	PX17ST-564 CONTACT TIP 2.0 MM
3b	PX16ST-30 CONTACT TIP 0.8 MM
	PX16ST-35 CONTACT TIP 0.9 MM

PART No.	DESCRIPTION
3b	PX16ST-40 CONTACT TIP 1.0 MM
	PX16ST-45 CONTACT TIP 1.2 MM
	PX16ST-52 CONTACT TIP 1.3 MM
	PX16ST-116 CONTACT TIP 1.6 MM
	PX16ST-564 CONTACT TIP 2.0 MM
3c	PX17SLT-35 CONTACT TIP 0.9 MM
	PX17SLT-40 CONTACT TIP 1.0 MM
	PX17SLT-45 CONTACT TIP 1.2 MM
	PX17SLT-52 CONTACT TIP 1.3 MM
	PX17SLT-116 CONTACT TIP 1.6 MM
	PX17SLT-564 CONTACT TIP 2.0 MM
3d	PX18S52 CONTACT TIP 1.3 MM
	PX18S116 CONTACT TIP 1.6 MM
	PX18S564 CONTACT TIP 2.0 MM
4	PX57HD GAS DIFFUSER
5	PX44C SET SCREW FOR GAS DIFF/CONDUIT
6	PX240 RETAINING RING
7	PX260 O'RING
8	PX17SW HD SHOCK WASHER
9	PX64A30TJ JACKETED GOOSENECK 30°
	PX64A45TJ JACKETED GOOSENECK 45°*
	PX64A60TJ JACKETED GOOSENECK 60°
	PX64A180TJ JACKETED GOOSENECK 180°
9a	PXTF-4HD FLEXIBLE BARREL
	PXTFX-4HD FLEXIBLE BARREL FOR EXT HEAT
10	PX64N NIPPLE
11	PX114 SEPARATOR
12	PXA532-24 9/16" - 18 BALL POINT SCREWS
13	PX104 CABLE CONNECTOR BLOCK ASSY
14	PX154HD HANGER
15	PX84HD HEAVY DUTY HANDLE W/SCREWS
16	PX122FM-SET BINDERS & SCREWS FOR HANDLE
17	PX134-14 CLAMP - HANDLE
18	PXAL300-25 5.5 MM HEX WRENCH
19	PX44-25 1.9 MM HEX WRENCH
20	PX92C SWITCH CONTACTS W/SCREWS

PART No.	DESCRIPTION
20	PX92D SWITCH ASSEMBLY DISPLAY PACK
21	PX92 TRIGGER SWITCH ASSY
22	PX144-6S SPRING STRAIN RELIEF FOR HANDLE
23	PX400-10 3 M REPLACEMENT CABLE ASSY
	PX400-12 3.5 M REPLACEMENT CABLE ASSY
	PX400-15 4.5 M REPLACEMENT CABLE ASSY
	PX400-20 6 M REPLACEMENT CABLE ASSY
	PX400-25 7.6 M REPLACEMENT CABLE ASSY
	PX400K CABLE BULK
	PX400CK CLOTH WRAPPED CABLE
23a	PX244T TERMINAL
24	PXR185-S SPRING
25	PX134-14 CLAMP - CONNECTOR BLOCK
26	PX194 CONNECTOR TAB ASSEMBLY
27	PXR185-H HOUSING
28	PXR185-SC SCREWS FOR HOUSING
29	PXR174-UA STANDARD CONNECTOR PLUG W/64N
	PXR174-UAG CONNECTOR PLUG W/GAS HOLE W/64N
30	PX44C SET SCREW FOR CONDUIT 8-32
31	PXR174-E CONNECTOR ESAB®
	PXR174-H CONNECTOR HOBART®
	PXR174-L CONNECTOR LINCOLN®
	PXR174-LP CONNECTOR LINCOLN® POWERMIG
	PXR174-M CONNECTOR MILLER®
	PXR174-T CONNECTOR STANDARD
31a	PX224 O-RING
32	PX44-3545 4.5 M WIRE CONDUIT ASSY 0.9 - 1.2 MM
	PX44-116 4.5 M WIRE CONDUIT ASSY 1.3 - 1.6 MM
	PX44-564 4.5 M WIRE CONDUIT ASSY 2.0 MM
	PX44-3545-25 7.6 M WIRE CONDUIT ASSY 0.9 - 1.2 MM
	PX44-116-25 7.6 M WIRE CONDUIT ASSY 1.3 - 1.6 MM
	PX44-564-25 7.6 M WIRE CONDUIT ASSY 2.0 MM
	PX44N-3545 4.5 M NYLON LINED CONDUIT ASSY ALUM 0.9 - 1.2 MM
	PX44N-116 4.5 M NYLON LINED CONDUIT ASSY ALUM 1.6 MM
n/s	HD400KIT 400 AMP FRONT END KIT

* Standard on guns

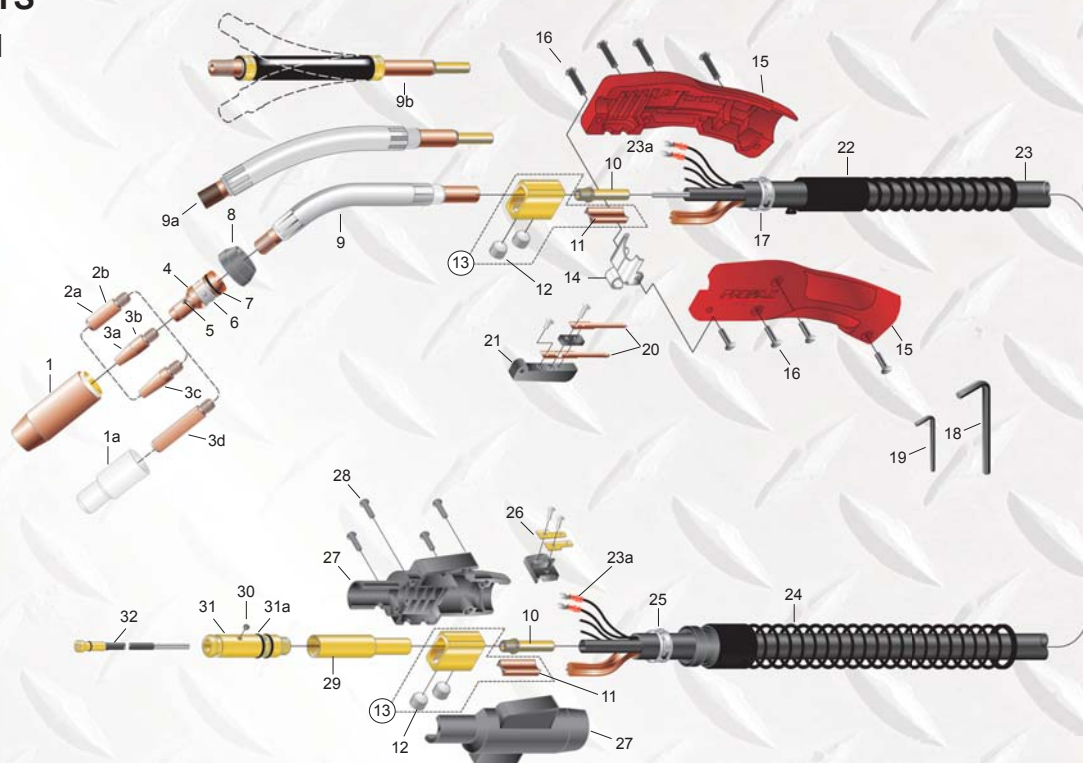


INDEPENDENT WHOLESALE WELDING SUPPLY

Ph: 02 8834 2400 Fax: 02 8834 2498 Email: iwws@iwws.net Website: www.iwws.net



450 AMP PARTS BREAKDOWN



PART No.	DESCRIPTION
1	PX27S50 HD NOZZLE 12.5 MM (COPPER)
	PX27S62 HD NOZZLE 16 MM (COPPER)*
	PX27S75 HD NOZZLE 19 MM (COPPER)
	PX27S50GL HD NOZZLE 12.5 MM (COPPER)
	PX27S62GL HD NOZZLE 16 MM (COPPER)
	PX27S75GL HD NOZZLE 19 MM (COPPER)
	PX27T38 TAPERED NOZZLE 9.5 MM (BRASS)
	PX27T50 NOZZLE 12.5 MM BOTTLE (COPPER)
	PX27T50HD HD NOZZLE 12.5 MM BOTTLE COPPER
	PX27K50 MD NOZZLE 12.5 MM
1a	PX39 INSULATOR FOR USE W/SELF SHIELDED FLUX CORE WIRE ONLY
2a	PX17S-30 CONTACT TIP 0.8 MM*
	PX17S-35 CONTACT TIP 0.9 MM*
	PX17S-40 CONTACT TIP 1.0 MM*
	PX17S-45 CONTACT TIP 1.2 MM*
	PX17AS-364 CONTACT TIP 1.2 MM ALUMINIUM*
	PX17S-52 CONTACT TIP 1.3 MM*
	PX17S-116 CONTACT TIP 1.6 MM*
	PX17AS-116 CONTACT TIP 1.6 MM ALUMINIUM*
	PX17S-564 CONTACT TIP 2.0 MM*
2b	PX16S-30 CONTACT TIP 0.8
	PX16S-35 CONTACT TIP 0.9 MM
	PX16S-40 CONTACT TIP 1.0 MM
	PX16S-45 CONTACT TIP 1.2 MM
	PX16S-52 CONTACT TIP 1.3 MM
	PX16S-116 CONTACT TIP 1.6 MM
	PX16S-564 CONTACT TIP 2.0 MM
3a	PX17ST-30 CONTACT TIP 0.8
	PX17ST-35 CONTACT TIP 0.9 MM
	PX17ST-40 CONTACT TIP 1.0 MM
	PX17ST-45 CONTACT TIP 1.2 MM
	PX17ST-52 CONTACT TIP 1.3 MM
	PX17ST-116 CONTACT TIP 1.6 MM
	PX17ST-564 CONTACT TIP 2.0 MM
3b	PX16ST-30 CONTACT TIP 0.8

PART No.	DESCRIPTION
3b	PX16ST-35 CONTACT TIP 0.9 MM
	PX16ST-40 CONTACT TIP 1.0 MM
	PX16ST-45 CONTACT TIP 1.2 MM
	PX16ST-52 CONTACT TIP 1.3 MM
	PX16ST-116 CONTACT TIP 1.6 MM
	PX16ST-564 CONTACT TIP 2.0 MM
3c	PX17SLT-35 CONTACT TIP 0.9 MM
	PX17SLT-40 CONTACT TIP 1.0 MM
	PX17SLT-52 CONTACT TIP 1.3 MM
	PX17SLT-116 CONTACT TIP 1.6 MM
	PX17SLT-564 CONTACT TIP 2.0 MM
3d	PX18S52 CONTACT TIP 1.3 MM
	PX18S116 CONTACT TIP 1.6 MM
	PX18S564 CONTACT TIP 2.0 MM
4	PX57HD GAS DIFFUSER
5	PX44C SET SCREW FOR GAS DIFF/CONDUIT
6	PX240 RETAINING RING
7	PX260 O-RING
8	PX17SW HD SHOCK WASHER
9	PX64A30-9HDJ JACKETED GOOSENECK 30°
	PX64A45-9HDJ JACKETED GOOSENECK 45°*
	PX64A60-9HDJ JACKETED GOOSENECK 60°
	PX64A180-9HDJ JACKETED GOOSENECK 180°
9a	PX64A45-4R-9HDJ JACKETED GOOSENECK 45°
9b	PXTF-4HD FLEXIBLE BARREL (OPTIONAL)
9b	PXTFX-4HD FLEXIBLE BARREL FOR EXT HEAT
10	PX64N NIPPLE
11	PX114 SEPARATOR
12	PXA532-24 9/16"-18 BALL POINT SCREW
13	PX104 CABLE CONNECTOR BLOCK ASSY
14	PX154HD HANGER
15	PX845HD HEAVY DUTY HANDLE W/SCREW
16	PX122FM-SET BINDERS AND SCREW FOR HANDLE
17	PX134-14 CLAMP - HANDLE
18	PXAL300-25 5.5 MM HEX WRENCH
19	PX44-25 2 MM HEX WRENCH

PART No.	DESCRIPTION
20	PX92C SWITCH CONTACTS W/SCREWS
	PX92D SWITCH ASSEMBLY DISPLAY PACK
21	PX92 TRIGGER SWITCH ASSEMBLY
22	PX144-6S SPRING STRAIN RELIEF FOR HANDLE
23	PX450-10 3 M REPLACEMENT CABLE ASSY
	PX450-12 3.5 M REPLACEMENT CABLE ASSY
	PX450-15 4.5 M REPLACEMENT CABLE ASSY
	PX450-20 6 M REPLACEMENT CABLE ASSY
	PX450-25 7.6 M REPLACEMENT CABLE ASSY
	PX450CK CLOTH WRAPPED CABLE, BULK
23a	PX244T TERMINAL
24	PXR185-S SPRING
25	PX134-14 CLAMP - CONNECTOR BLOCK
26	PX194 CONNECTOR TAB ASSEMBLY
27	PXR185-H HOUSING
28	PXR185-SC SCREWS FOR HOUSING
29	PXR174-UA CONNECTOR PLUG W/64N
	PXR174-UAG CONNECTOR PLUG W/GAS HOLE
30	PX44C SET SCREW FOR CONDUIT 8-32
31	PXR174-E CONNECTOR ESAB®
	PXR174-H CONNECTOR HOBART®
	PXR174-L CONNECTOR LINCOLN®
	PXR174-LP CONNECTOR LINCOLN® POWERMIG
	PXR174-M CONNECTOR MILLER®
	PXR174-T CONNECTOR STANDARD
31a	PX224 O-RING
32	PX44-3545 4.5 M WIRE CONDUIT ASSY 0.9 - 1.2 MM
	PX44-116 4.5 M WIRE CONDUIT ASSY 1.3 - 1.6 MM
	PX44-564 4.5 M WIRE CONDUIT ASSY 2.0 MM
	PX44-3545-25 7.6 M WIRE CONDUIT ASSY 0.9 - 1.2 MM
	PX44-116-25 7.6 M WIRE CONDUIT ASSY 1.3 - 1.6 MM
	PX44-564-25 7.6 M WIRE CONDUIT ASSY 2.0 MM
	PX44N-3545 4.5 M NYLON LINED CONDUIT ASSEMBLY (ALUMINIUM) 0.9 - 0.2 MM
	PX44N-116 4.5 M NYLON LINED CONDUIT ASSEMBLY (ALUMINIUM) 1.6 MM

* Standard on guns