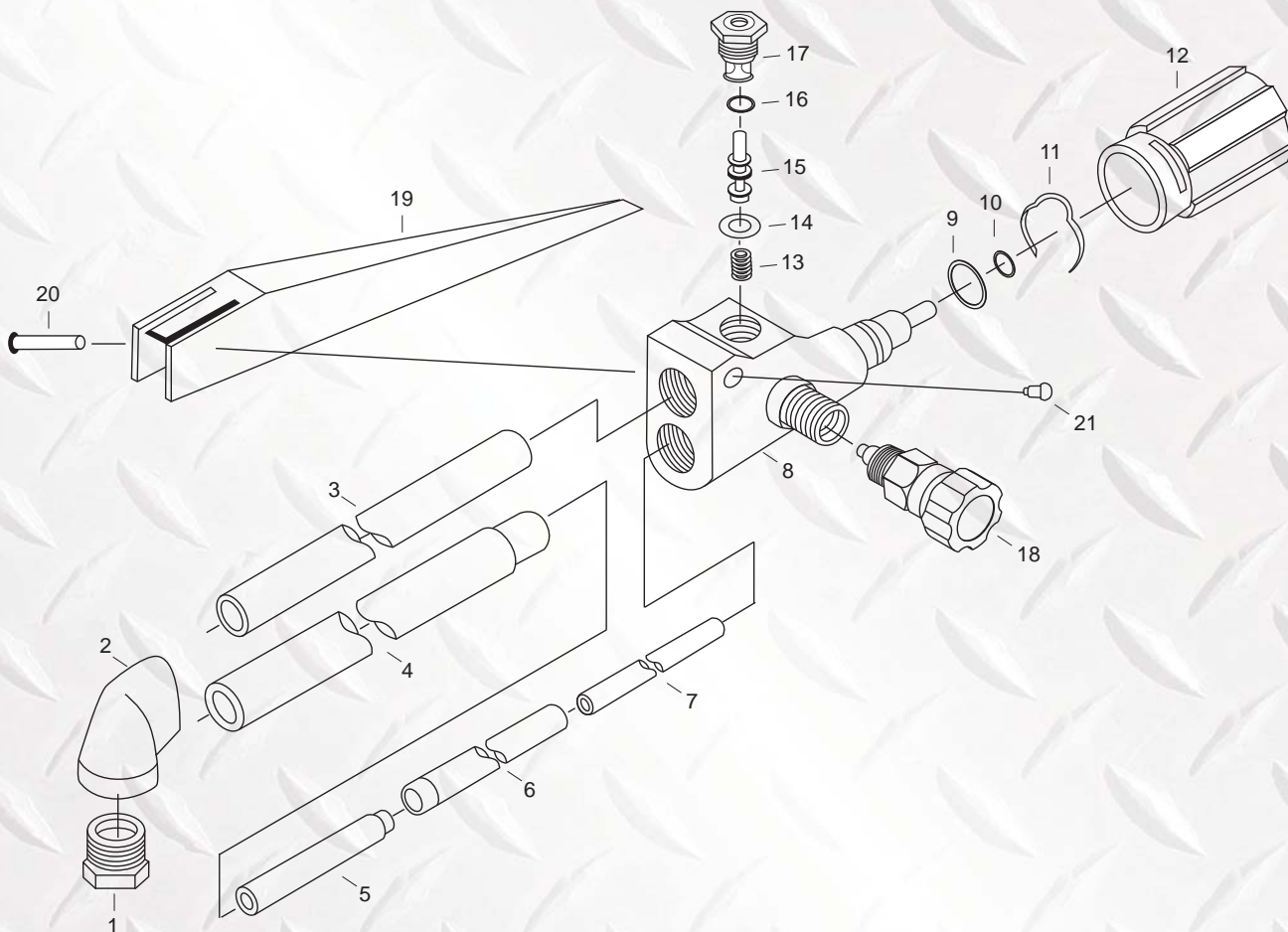


# GAS EQUIPMENT

## 346CA CUTTING ATTACHMENT



Part No	Description	Part No	Description
1	T346-01 TIP NUT	11	T346-21 RETAINING RING
2	T346-02B CUTTING HEAD	12	T346-23 COUPLING NUT
3	T346-04B HP OXYGEN TUBE	13	T346-25 SPRING
4	T346-07B OUTER TUBE	14	T346-27 SEAT
5	T346-08B INSIDE TUBE	15	T346-29 SEAT HOLDER
6	T346-12B MIXER TUBE	16	T346-31 O'RING
7	T346-13B INSIDE TUBE	17	T346-33 VALVE CAP
8	T346-15B BODY	18	T346-87 VALVE KIT
9	T346-17 O'RING LARGE	19	T346-49 LEVER
10	T346-19 O'RING SMALL	20	T346-46 LEVER PIN
		21	T346-47 PIN



**INDEPENDENT WHOLESALE WELDING SUPPLY**

Ph: 02 8834 2400 Fax: 02 8834 2498 Email: iwws@iwws.net Website: www.iwws.net