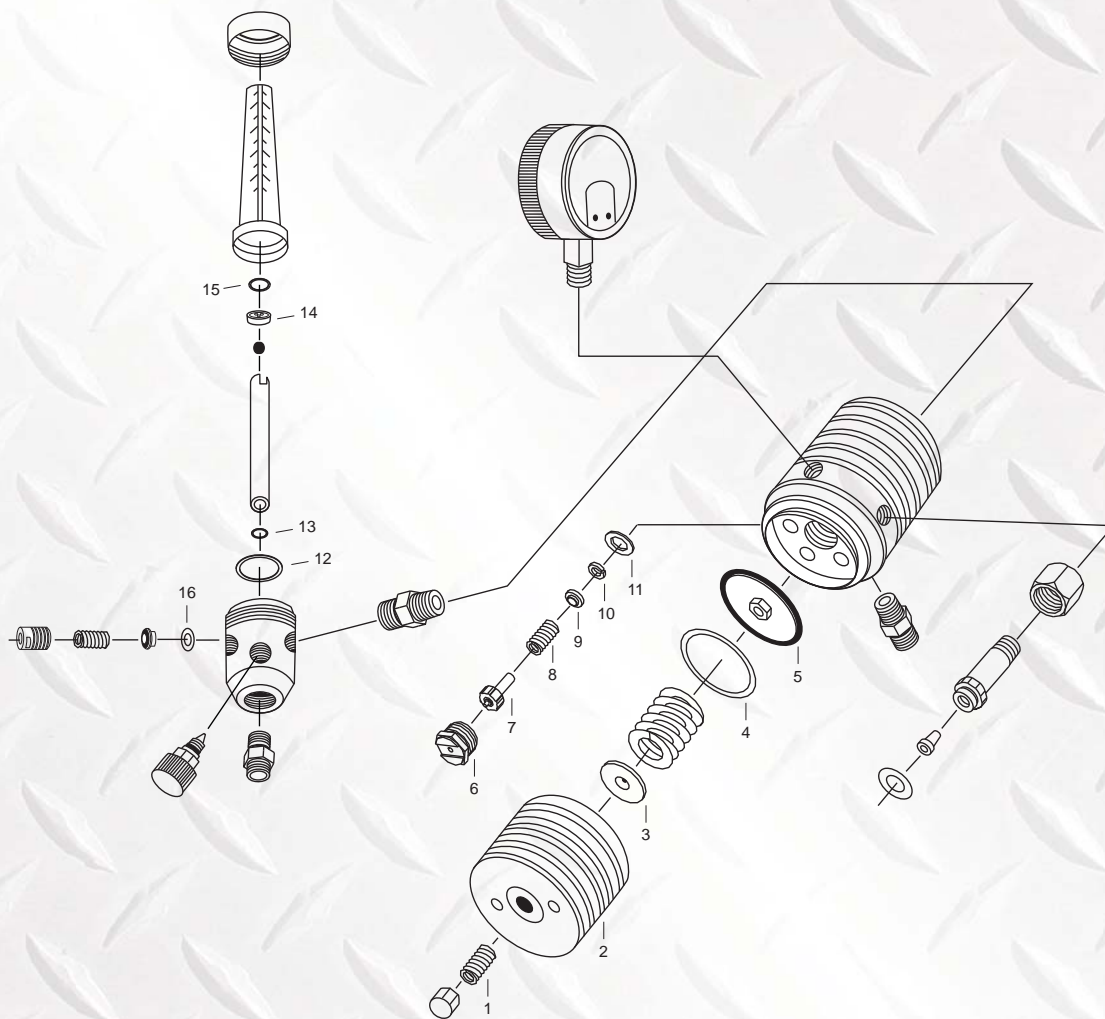


GAS EQUIPMENT

199CR-IW REGULATOR CO² RADIATOR



Part No	Description
1 R199-02	ADJUSTER
2 R199-04	HOUSING CAP
3 R130-06	SPRING BUTTON
4 R130-08	SLIP RING
5 R130-82A	DIAPHRAGM ASSEMBLY
6 R130-30	NOZZLE
7 R160-83A	VALVE ASSEMBLY
8 R110-35	VALVE SPRING
9 R110-36	GLAND

Part No	Description
10 R110-37	FRICITION WASHER
11 R110-38	NOZZLE GASKET
12 R195-60	O'RING
13 R195-61	O'RING
14 R195-73	WASHER, FLOWMETER
15 Y4903	O'RING
16 R120-13 Y3902	O'RING REGULATOR LENS CAP



INDEPENDENT WHOLESALE WELDING SUPPLY

Ph: 02 8834 2400 Fax: 02 8834 2498 Email: iwws@iwws.net Website: www.iwws.net