

# SUMNER

## HEAVY DUTY JACK PLUS

- 1,135 kg Load capacity
- Jack independently load tested for quality assurance
- Backed by forty years of jack stand manufacturing experience



Legs can be replaced for easy repair

Rib-supported vee head prevents "pancaking"

Galvanized inside tube resists corrosion

Quick action lock washer for fast height positioning

Patented Fall Guard feature allows 1" (2.5 cm) safety zone around lock washer

Strut tension plate for superior lateral support

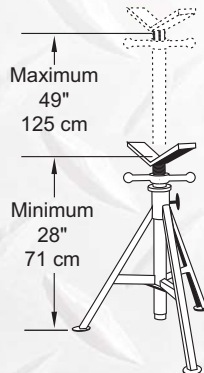
4" (10 cm) wide vee head 120° angle ideal for pipe up to 24" (61 cm) in diameter

The large adjustment screw works easily with gloved hands, turns easily with loads up to 2,500 lbs (1,135 kg)

Set screw for double margin of safety

1" (2.5 cm) square tube base construction

Rounded foot pads, no sharp edges



Part Number	Description	Kg
780326	Heavy Duty Jack Plus w/Ribbed Vee-Head	10.9

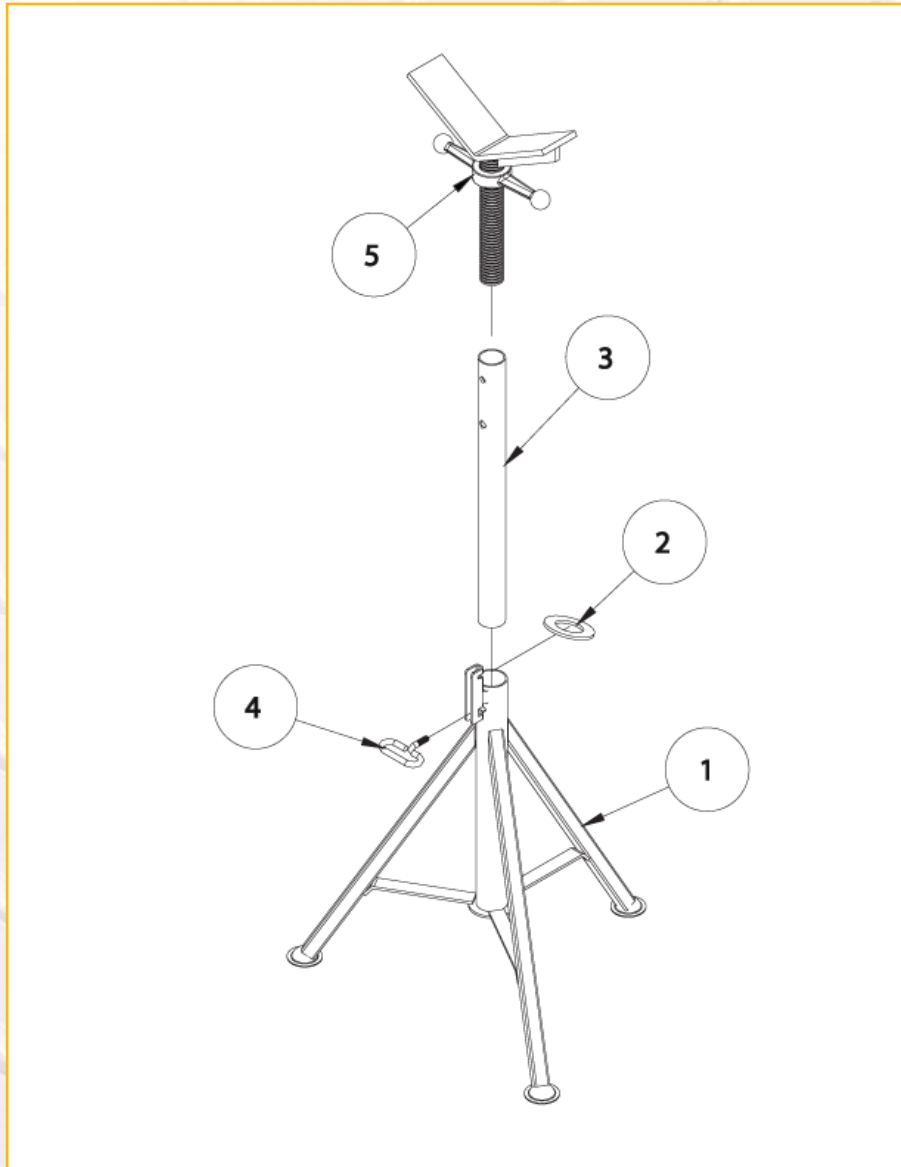


INDEPENDENT WHOLESALE WELDING SUPPLY

Ph: 02 8834 2400 Fax: 02 8834 2498 Email: iwws@iwws.net Website: www.iwws.net

# SUMNER

## HEAVY DUTY JACK PLUS PARTS



	Part No	Description
1	780511	Base Weldment, HD Hi-Jack J15HF
2	780510	Lock Washer J-20A
3	780424	Hi ID BBL PLN 20.5" (520.7 mm ) Large
4	780552	Set Screw C-110W
5	780918	Vee Head Assembly, Ribbed HD



INDEPENDENT WHOLESALE WELDING SUPPLY

Ph: 02 8834 2400 Fax: 02 8834 2498 Email: iwws@iwws.net Website: www.iwws.net