

SUMNER

HEAVY DUTY JACK

- Up to 1,135 kg Load capacity
- Jack independently load tested for quality assurance
- Backed by forty years of jack stand manufacturing experience

Interchangeable heads to match the job (see below options)

4" (10 cm) wide vee head 120° angle ideal for pipe up to 24" (61 cm) in diameter

The large adjustment screw works easily with gloved hands, turns easily with loads up to 2,500 lbs (1,135 kg)

Galvanized inside tube resists corrosion

Quick action lock washer for fast height positioning

Set screw for double margin of safety

Patented Fall Guard feature allows 1" (2.5 cm) safety zone around lock washer

1" (2.5 cm) square tube base construction

Rounded foot pads, no sharp edges

Strut tension plate for superior lateral support



Legs can be replaced for easy repair



Standard Vee Head
780518 - Carbon Steel
780498 - Stainless Steel



Ball Transfer Head
780518 & 780551 - Carbon Steel
780518 & 780274 - Stainless Steel
450kg load cap.



Steel Wheel Head
780514 - Carbon Steel
780517 - Stainless Steel



Rubber Wheel Head
780499 - Carbon Steel
450kg load cap.



Bar Stock Head
780519- Carbon Steel (Hi)
780944 - Carbon Steel (Lo)

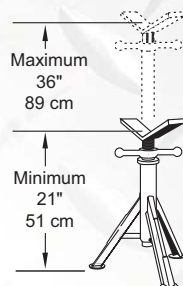
Hi Jacks Heavy Duty

Part No	Description	Kg
780375	HD Hi Jack w/Vee Head	10.9
780376	HD Hi Jack w/Roller Head	12.2
780377	HD Hi Jack w/Bar Stock Head	10.9
780378	HD Hi Jack w/Stainless Steel Rollers	12.7
780379	HD Hi Jack w/Stainless Steel Vee-Head	10.9
780380	HD Hi Jack w/Ball Transfer Head	12.2
780381	HD Hi Jack w/Rubber Wheels	11.8



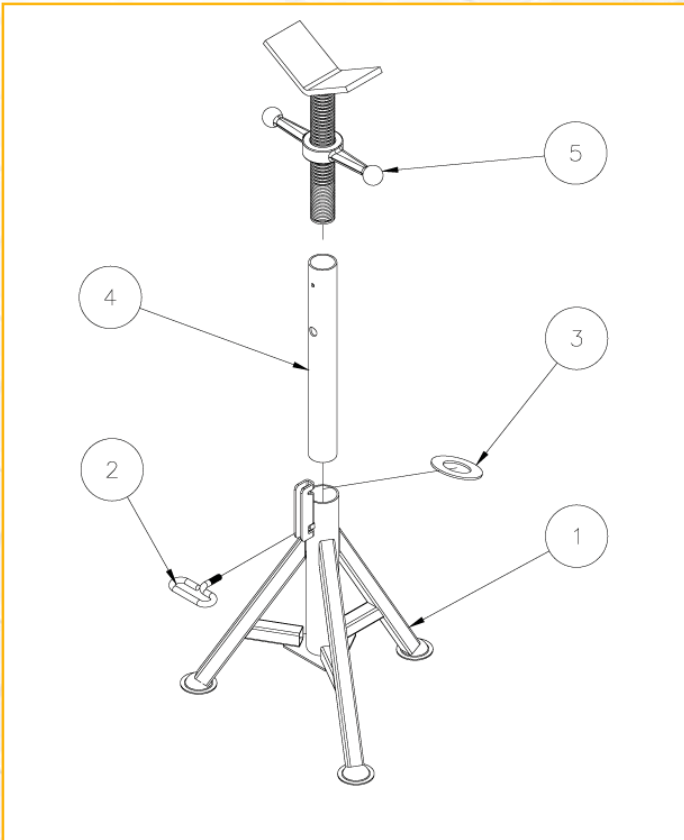
Lo Jacks Fold A Jack

Part No	Description	Kg
780385	HD Lo Jack w/Vee Head	8.6
780386	HD Lo Jack w/Roller Head	10.0
780387	HD Lo Jack w/Bar Stock Head	8.2
780388	HD Lo Jack w/Stainless Steel Rollers	10.0
780389	HD Lo Jack w/Stainless Steel Vee-Head	8.6
780390	HD Lo Jack w/Ball Transfer Head	10.0
780391	HD Lo Jack w/Rubber Wheels	9.5



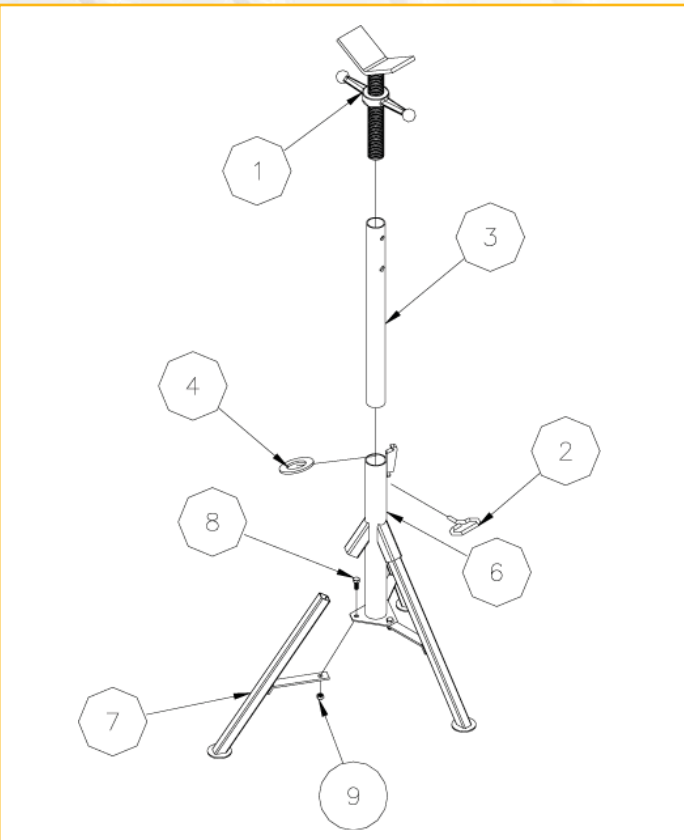
SUMNER

HEAVY DUTY JACK



Lo Heavy Duty Jack Parts

	Part No	Description
1	780520	Base Weldment, HD Lo Jack J15LF
2	780552	Set Screw C-110W
3	780510	Lock Washer J-20A
4	780422	Lo ID BBL PLN 14.5" (368.3 mm) Large
5	780518	Vee HD Assembly, B-16F



Hi Heavy Duty Jack Parts

	Part No	Description
1	780518	Vee HD Assembly, B-16F
2	780552	Set Screw C-110W
3	780424	Hi ID BBL PLN 20.5" (520.7 mm) Large
4	780510	Lock Washer J-20A
5	780511	Base Weldment, HD Hi Jack J15HF (shown disassembled)
6	780578-KD	Barrel Weldment Hi HD
7	780675-KD	Leg Weldment, Knock Down Jack
8	771106	Screw, HHC 3/8-16 X 7/8" (9.52 - 406.4 x 22.2 mm)
9	772355	Nut, Insert Lock 3/8-16" (9.52 - 406.4 mm)

