

# SUMNER

## FAB SAF JACK



7" (17 cm) wide 120° angle vee head ideal for pipe up to 36" (900 mm) in diameter

Rib supported vee head prevents "pancaking"

Large adjustment screw works easily with gloved hands  
Turns easily with loads up to 3,500 lbs (1,580 kg)

Set screw for double margin of safety

1" (2.5 cm) square tube base construction

Rounded foot pads no sharp edges

Wide 30" (76 cm) base

Galvanized inside tube resists corrosion

Quick action lock washer for fast height positioning

Patented Fall Guard feature allows 1" (2.5 cm) safety zone around lock washer

- 3,500 lbs (1,580 kg) load capacity.
- Adjustable height from 32" (81 cm) to 52" (132 cm).
- Backed by forty years of jack stand manufacturing experience.



Roller head Jack available  
780400

Part Number	Description	Kg
780395	FAB SAF Jack	11.8
780400	FAB SAF Jack w/Roller Head	11.8



INDEPENDENT WHOLESALE WELDING SUPPLY

Ph: 02 8834 2400 Fax: 02 8834 2498 Email: iwws@iwws.net Website: www.iwws.net

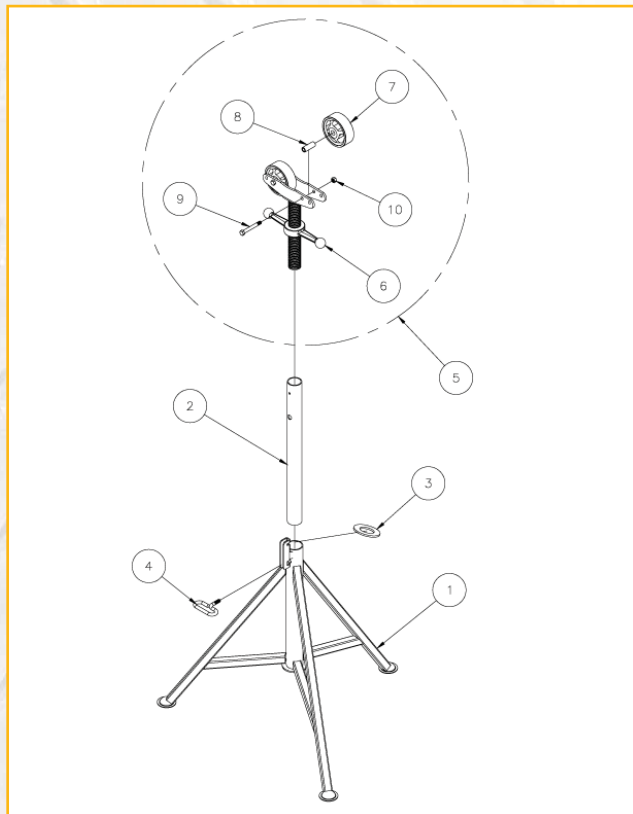
# SUMNER

## FAB SAF JACK PARTS



### 780395 Vee Head Parts

	Part No	Description
1	780332	Fab Saf Base Weldment
2	780424	Hi ID BBL PLN 20.5" (520.7 mm) Large
3	780510	Lock Washer J-20A
4	780552	Set Screw C-110W
5	781376	Fat Jack Vee Head



### 780400 Roller Head Parts

	Part No	Description
1	780332	Fab Saf Base Weldment
2	780424	Hi ID BBL PLN 20.5" (520.7 mm) Large
3	780510	Lock Washer J-20A
4	780552	Set Screw C-110W
5	781370	Fat Jack Roller Head
6	780233	Roller Head Weldment with Adjustable Screw
7	779055	Wheel, Powdered Metal
8	775031	Bush, BZ 3/8 X 5/8 X 1-3/4 (9.52 x 15.87 x 44.4 mm)
9	771099	Screw, HHC 3/8-16 X 3 (9.52 - 406.4 x 76.2 mm) Modified
10	772355	Nut, Insert Lock 3/8-16 (9.52 - 406.4 mm)



INDEPENDENT WHOLESALE WELDING SUPPLY

Ph: 02 8834 2400 Fax: 02 8834 2498 Email: iwws@iwws.net Website: www.iwws.net