

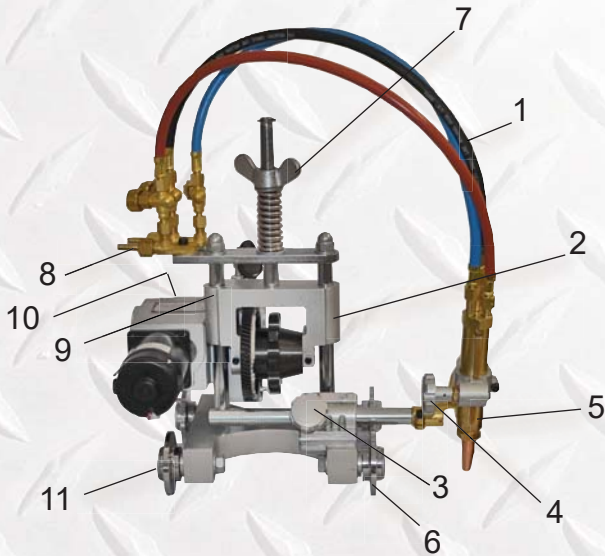
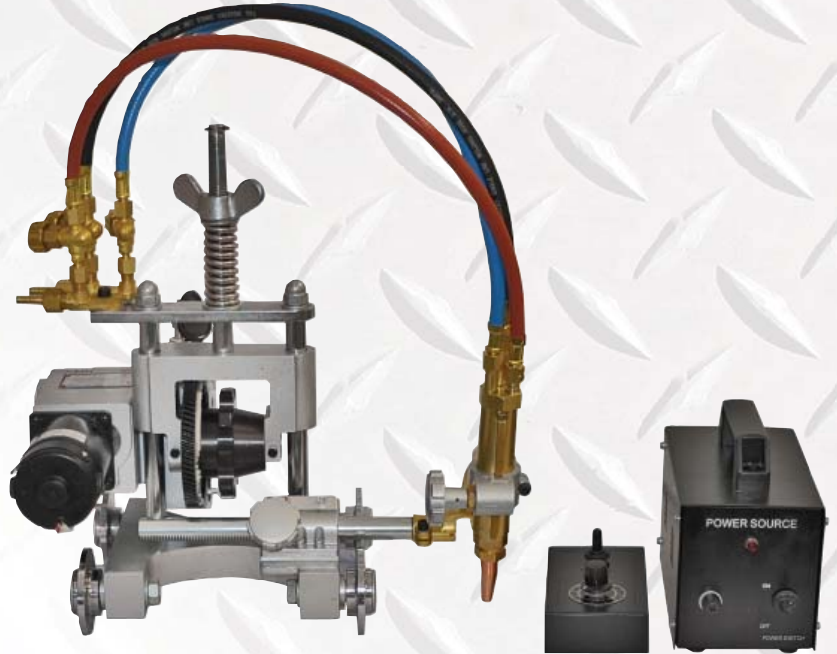
GAS-CHAMP

AUTOMATIC PIPE CUTTING MACHINE

The machine is a remote control gas motorized pipe cutting unit and it is easy to change the length of the chain for various size pipes.

Features and Benefits:

- Cutting can be done in clockwise or anti-clockwise direction from both sides of the machine.
- The machine can bevel up to 45° by selecting the required angle on the torch holder
- The machine torch can be adjusted vertically and horizontally alongside the pipe surface by rack and pinion attachments
- Remote Control Unit (1 set) supplied.



- | | |
|----------------------|------------------------|
| 1. Hose | 7. Big wing bolt |
| 2. Bracket | 8. Distributor |
| 3. Cross feed handle | 9. Gear box connection |
| 4. Torch lift handle | 10. Clutch handle |
| 5. Torch | 11. Main base |
| 6. Guide wheel | 12. Chain |

| | |
|-------------------------|---|
| Tip Type | 3 Seat Tips |
| Chain type | Single link chain |
| Quick release clutch | With |
| Cutting Speed | 50-1150mm/min |
| Effective pipe diameter | 150 ~ 600 mm by standard chain larger size over 600 mm by extra chain |
| Cutting thickness | Up to 50 mm |
| Cutting shape | Square and bevel (up to 45°) |
| Drive method | Motorized |
| Main size (mm) | 265 x 420 x 450 |
| Weight (kg) | 16 |

| Part No | Description |
|---------|--------------------------------|
| PC-12A | Automatic Pipe Cutting Machine |

The model Autopipe-P can also be used to cut stainless steel and other Non-ferrous pipes by using Plasma Cutting Torch (Torch holder to suit your Plasma Cutting Torch can be supplied as an optional attachment)



INDEPENDENT WHOLESALE WELDING SUPPLY

Ph: 02 8834 2400 Fax: 02 8834 2498 Email: iwws@iwws.net Website: www.iwws.net