

# TIGMASTER®

## STUBBY TIG TORCH

Ten interchangeable heads that be changed in seconds allowing access to the most difficult weld locations

- Interchangeable heads.
- Light weight and compact.
- Better weld puddle control.
- Less hand and wrist fatigue.

Easy to hold without strain or tension to the hand.  
The most flexible rubber power cable in the industry.  
Ideal for tube fabrication.



920-50  
50° Head



920-70  
70° Head



1718-50  
50° Head



1718-70  
70° Head



24-70  
70° Head



24-90  
90° Head



920-90  
90° Head



920P  
180° Head



1718-90  
90° Head



1718P  
180° Head

Part No	Description	Torch Series
WTS-9-12SF	12 ½ ft (3.8 M) 125 amp	9
WTS-9-25SF	25 ft (7.6 M) 125 amp	
WTS-17-12SF	12 ½ ft (3.8 M) 150 amp	17
WTS-17-25SF	25 ft (7.6 M) 150 amp	
WTS-24-12SF	12 ½ ft (3.8 M) 80 amp	24
WTS-24-25SF	25 ft (7.6 M) 80 amp	



MADE IN USA



INDEPENDENT WHOLESALE WELDING SUPPLY

Ph: 02 8834 2400 Fax: 02 8834 2498 Email: iwws@iwws.net Website: www.iwws.net

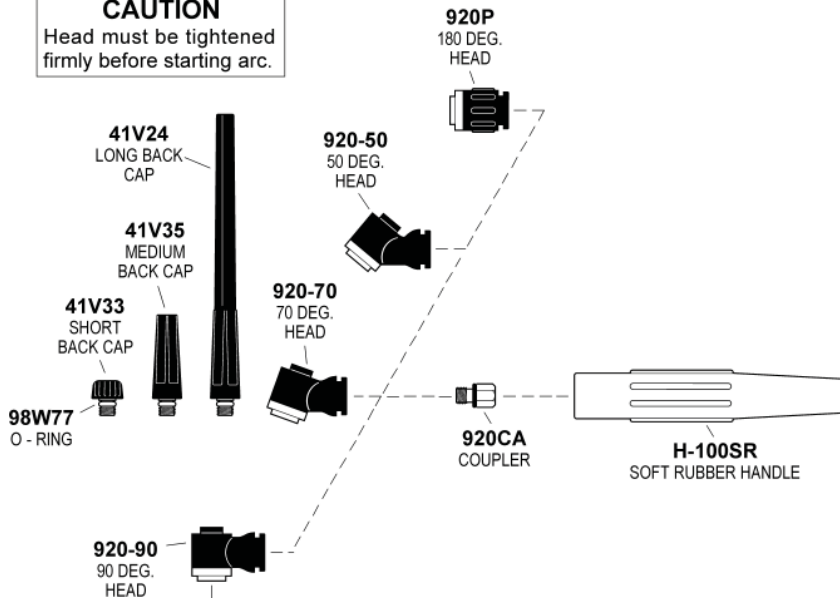
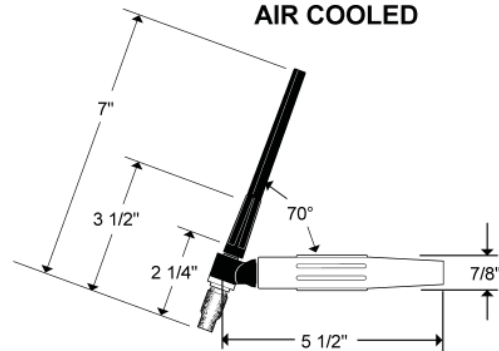
# TIGMASTER®

**STUBBY™**  
... by WeldTec®

## REPLACEMENT PARTS

**WTS-9**  
125 AMPS  
AIR COOLED

**CAUTION**  
Head must be tightened firmly before starting arc.



### STANDARD POWER CABLE

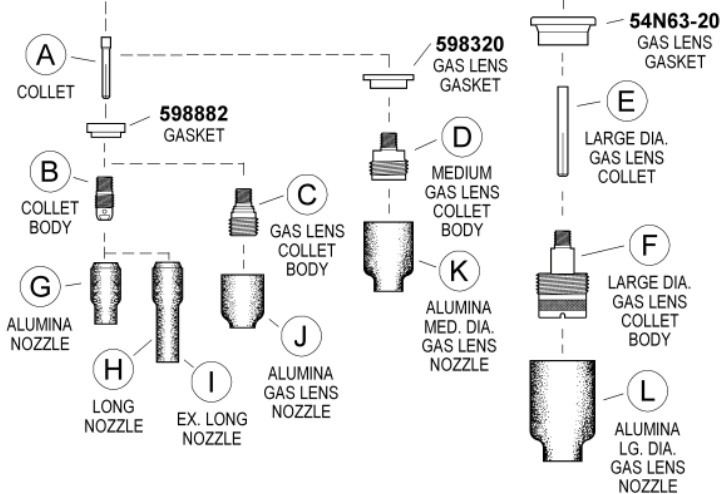


**57Y01SF 12.5 FT.**  
**57Y03SF 25 FT.**  
"SF" POWER CABLE - SUPER FLEX

### OPTIONAL POWER CABLE



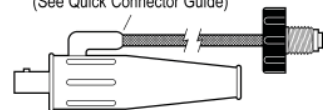
**57Y01R 12.5 FT.**  
**57Y03R 25 FT.**  
"R" POWER CABLE - RUBBER



### 105Z57 POWER CABLE ADAPTER



### QUICK CONNECTOR (See Quick Connector Guide)



COPYRIGHT 2014 TEC WELDING PRODUCTS, INC.

## COLLETS • COLLET BODIES • GAS LENS

ITEM	ELECTRODE DIAMETER	.020 0,5	.040 1,0	1/16 1,6	3/32 2,4	1/8 3,2
A	COLLET	13N20	13N21	13N22	13N23	13N24
B	COLLET BODY	13N25	13N26	13N27	13N28	13N29
C	GAS LENS	45V41	45V42	45V43	45V44	45V45
D	MED. DIA. GAS LENS	—	—	45V35SW	45V36SW	45V37SW
E	LG. DIA GAS LENS COLLET	13N20L	13N21L	13N22L	13N23L	13N24L
F	LG. DIA GAS LENS	45V0204S		45V116S	45V64S	995795S

## GAS NOZZLES

ITEM	NO. SIZE	3 3/16"	4 1/4"	5 5/16"	6 3/8"	7 7/16"	8 1/2"	10 5/8"	11 11/16"	12 3/4"
G	ALUMINA	—	13N08	13N09	13N10	13N11	13N12	13N13	—	—
H	LONG 17/8"	796F70	796F71	796F72	796F73	—	—	—	—	—
I	EX. LONG 2 1/2"	796F74	796F75	796F76	796F77	—	—	—	—	—
J	ALUMINA GAS LENS	—	53N58	53N59	53N60	53N61	53N61S	—	—	—
K	ALUMINA MED. DIA. GAS LENS	—	—	—	—	54N15SW	54N14SW	54N12SW	54N19	—
L	ALUMINA LG. DIA. GAS LENS	—	—	—	57N75	—	57N74	53N88	—	53N87*

Specifications and descriptions subject to change without notice.

\* #15 53N89 15/16" ID X 1 7/8" Long



**INDEPENDENT WHOLESALE WELDING SUPPLY**

Ph: 02 8834 2400 Fax: 02 8834 2498 Email: iwws@iwws.net Website: www.iwws.net

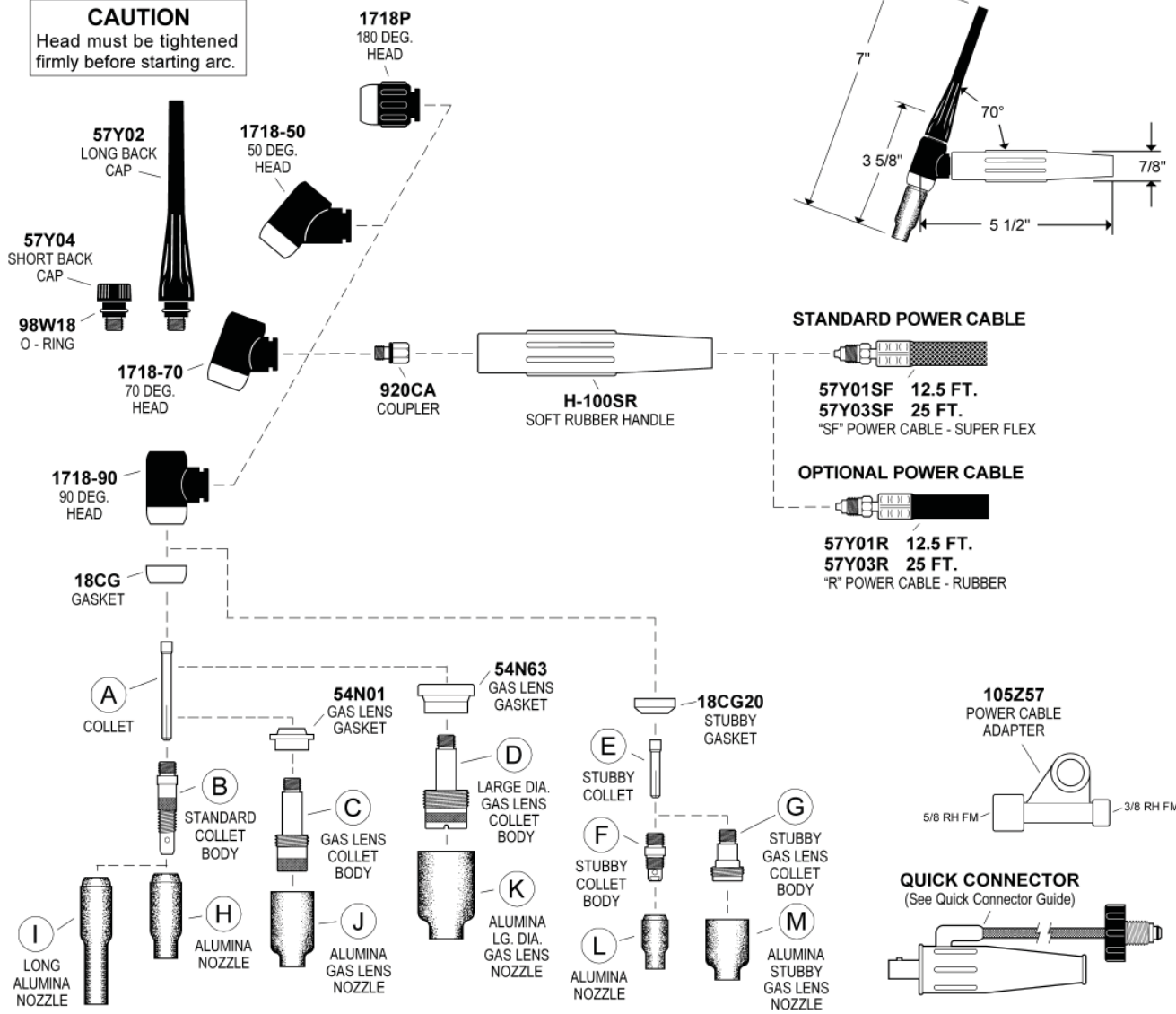
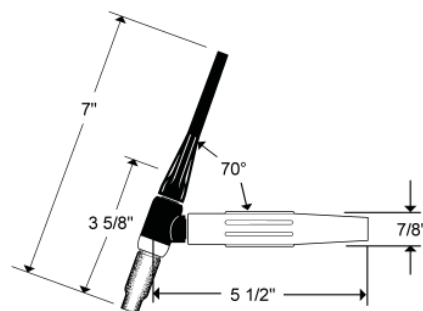
# TIGMASTER®

**STUBBY™**  
... by WeldTec®

## REPLACEMENT PARTS

**WTS-17**  
150 AMPS  
AIR COOLED

**CAUTION**  
Head must be tightened firmly before starting arc.



COPYRIGHT 2014 TEC WELDING PRODUCTS, INC.

### COLLETS • COLLET BODIES • GAS LENS

ITEM	ELECTRODE DIAMETER	.020 0,5	.040 1,0	1/16 1,6	3/32 2,4	1/8 3,2
A	COLLET	10N21	10N22	10N23	10N24	10N25
B	STANDARD COLLET BODY	10N29	10N30	10N31	10N32	10N28
C	GAS LENS	45V29	45V24	45V25	45V26	45V27
D	LG. DIA. GAS LENS	—	—	45V116	45V64	995795
E	STUBBY COLLET	—	—	10N23S	10N24S	10N25S
F	STUBBY COLLET BODY	17CB20				
G	STUBBY GAS LENS	—	—	45V25S	45V26S	45V27S

### GAS NOZZLES

ITEM	NO. SIZE	4 1/4"	5 5/16"	6 3/8"	7 7/16"	8 1/2"	10 5/8"	11 11/16"	12 3/4"
H	ALUMINA	10N50	10N49	10N48	10N47	10N46	10N45	—	10N44
I	ALUMINA 3" LONG	—	10N49L	10N48L	10N47L	—	—	—	—
J	ALUMINA GAS LENS	54N18	54N17	54N16	54N15	54N14	—	54N19	—
K	ALUMINA LG. DIA. GAS LENS	—	—	57N75	—	57N74	53N88	—	53N87*
L	ALUMINA	13N08	13N09	13N10	13N11	13N12	13N13	—	—
M	ALUMINA STUBBY GAS LENS	—	—	—	54N15SW	54N14SW	54N12SW	54N19	—

\* #15 53N89 15/16" ID X 1 7/8" Long

Specifications and descriptions subject to change without notice.



INDEPENDENT WHOLESALE WELDING SUPPLY

Ph: 02 8834 2400 Fax: 02 8834 2498 Email: iwws@iwws.net Website: www.iwws.net

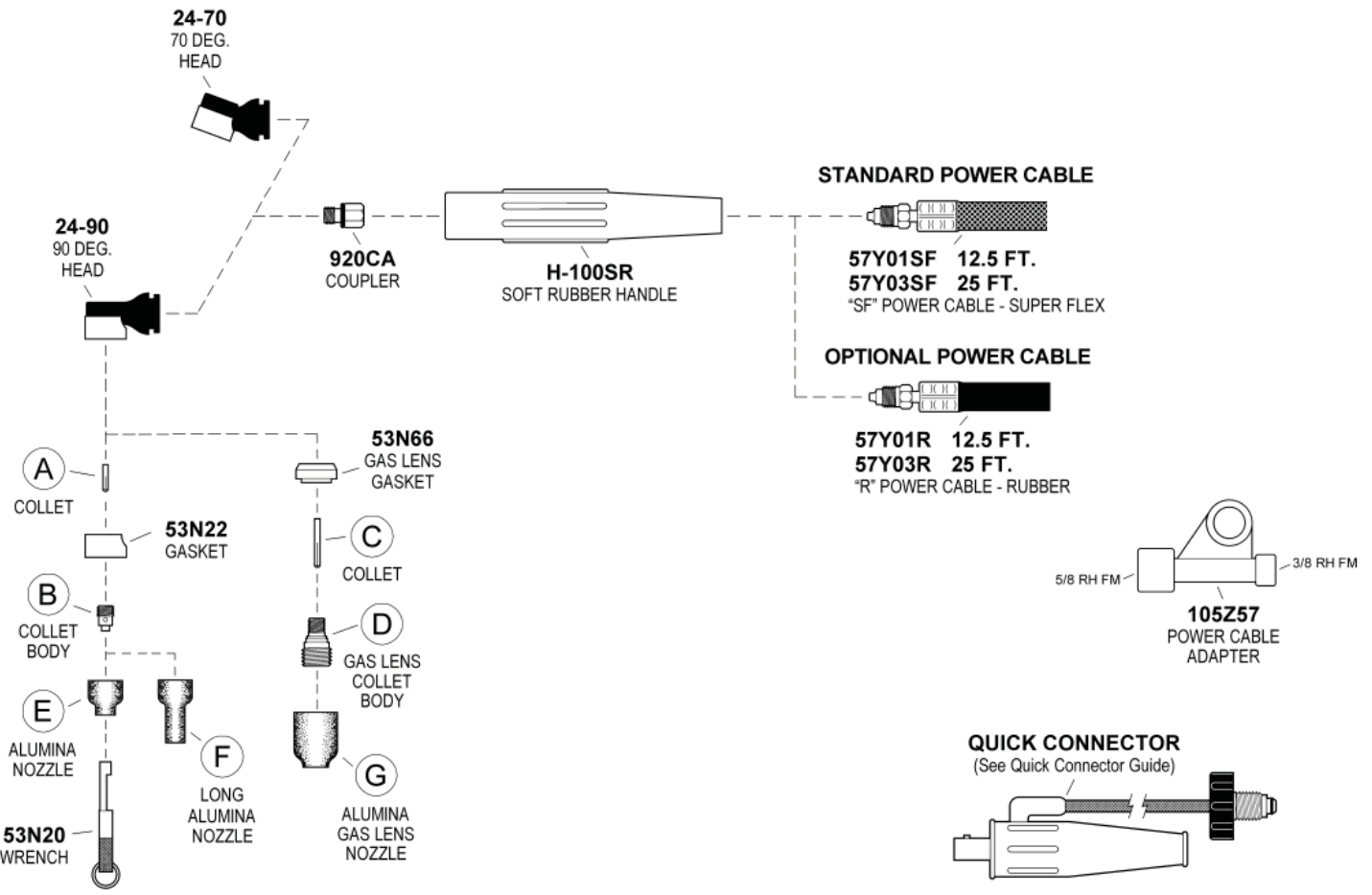
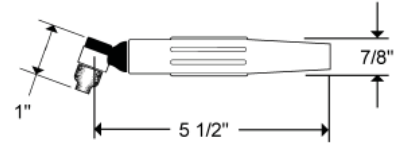
# TIGMASTER®

**STUBBY™**  
... by WeldTec®

## REPLACEMENT PARTS

**WTS-24**  
80 AMPS  
AIR COOLED

**CAUTION**  
Head must be tightened firmly before starting arc.



COPYRIGHT 2014 TEC WELDING PRODUCTS, INC.

### COLLETS • COLLET BODIES • GAS LENS

ITEM	ELECTRODE DIAMETER	.020 0,5	.040 1,0	1/16 1,6	3/32 2,4
A	COLLET	53N15	53N16	53N14	24C332
B	COLLET BODY	53N17	53N18	53N19	24CB332
C	GAS LENS COLLET	53N62	53N63	53N64	24GLC332
D	GAS LENS	45V41	45V42	45V43	45V44

### GAS NOZZLES

ITEM	NO. SIZE	4 1/4"	5 5/16"	6 3/8"	7 7/16"	8 1/2"
E	ALUMINA	53N24A	53N25A	53N27A	—	—
F	LONG 17/8"	53N28A	—	53N26A	—	—
G	ALUMINA GAS LENS	53N58	53N59	53N60	53N61	53N61S

Specifications and descriptions subject to change without notice.



**INDEPENDENT WHOLESALE WELDING SUPPLY**

Ph: 02 8834 2400 Fax: 02 8834 2498 Email: iwws@iwws.net Website: www.iwws.net