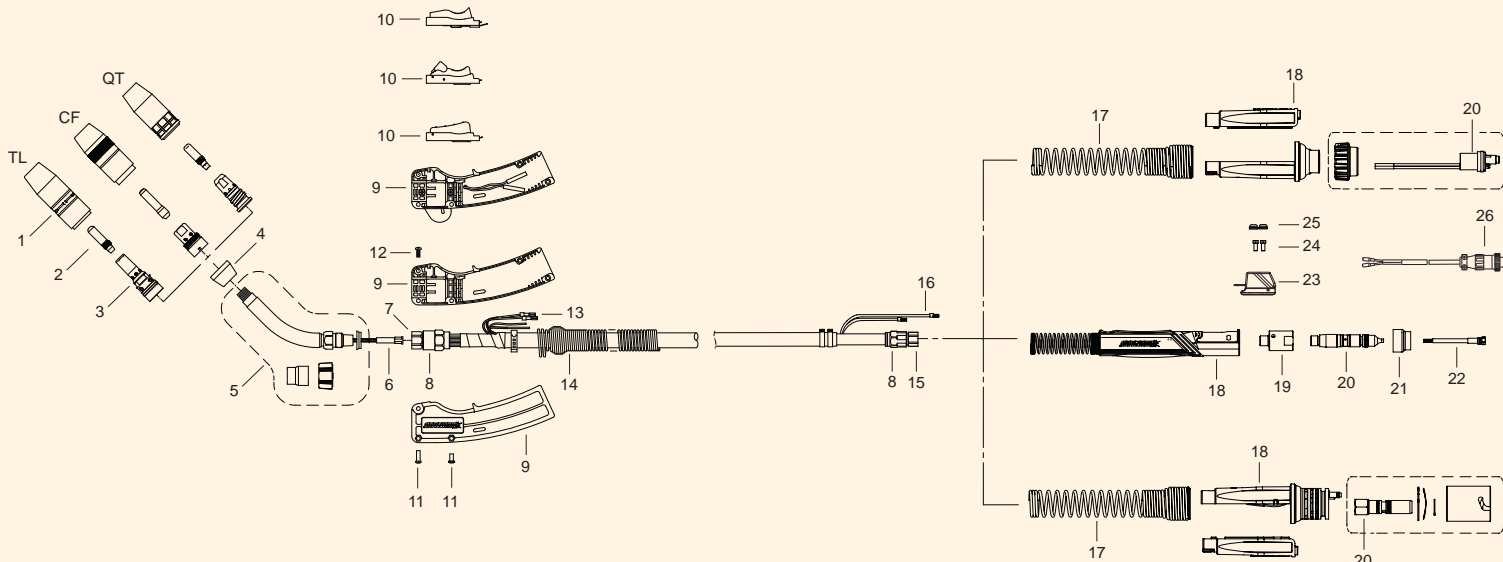


GENUINE BERNARD MIG GUN 300 & 400 AMP



	PART No.			DESCRIPTION
	Q200	Q300	Q40	
1		401-6-62		Nozzle, TOUGH LOCK series, Standard
	-	401-6-62	401-6-62	Nozzle, TOUGH LOCK series, Heavy Duty
	NS-1218B	NS-5818C		Nozzle, Centerfire "N" series
		N1C58Q		Nozzle, Quik Tip series
2	See TOUGH LOCK Consumable supplied with gun			Contact Tip, TOUGH LOCK, Standard
	See TOUGH LOCK Consumable supplied with gun			Contact Tip, TOUGH LOCK, Heavy Duty
	See Centerfire Consumable supplied with gun			Contact Tip, Centerfire
	See Quik Tip Consumable supplied with gun			Contact Tip, Quik Tip
3	404-18			Retaining Head, TOUGH LOCK, Standard
	404-26			Retaining Head, TOUGH LOCK, Heavy Duty
	DS-1		D-1	Gas Diffuser, Centerfire
	D118Q			Gas Diffuser, Quik Tip
4	See BTB spec sheet supplied with gun			Neck Insulator
5	See BTB spec sheet supplied with gun			Neck
6	See BTB spec sheet supplied with gun			Jump Liner
7	4213B		4313B	End Fitting, Front
8	4305	1540003		Cone Nut
N/S	4939			Jacket Clamp
N/S	4992			Conduit Clamp
9	1880155			Handle Kit, Standard Locking
		1880198		Handle Kit, Locking Trigger
				Handle Kit, Dual Pull Trigger
	-	DSA-1		Handle Kit, D/S Standard Trigger
				Handle Kit, D/S Locking Trigger

	PART No.		DESCRIPTION
10	5662		Trigger, Standard
	5662L		Trigger, Locking
	2690001		Trigger, Dual Pull, 3 Wire (with insulator terminals)
11	4207		Post Fastener (1 Red'd - Q20, Q30) (5 Req'd - Q40)
	2030004	N/A	Post Fastener, Short (4 Req'd)
12	4209		Handle Screw (5 Req'd)
13	2660001		Terminal, Quick Disconnect (2 Req'd)
14	2520074	2520042	Handle Spring
15	1680087	1680088	End Fitting, Rear
16	412-1		Switch Connector (2 Req'd)
17	2520033	2520041	Spring, Strain Relief
18	410		Straight Rear Strain Relief
	2520069		Clamshell Rear Strain Relief (Euro Power Pin)
	2520073		Clamshell Rear Strain Relief with Installed Gas Pin (Bernard Power Pin)
19	414-400		Adaptor Block
20	See BTB spec sheet supplied with gun		Power Pin
21	See BTB spec sheet supplied with gun		Power Pin Insulator
22	See BTB spec sheet supplied with gun		Liner
23	416-5		Terminal Housing
	416-13		Terminal Housing, Dual Schedule
24	411-3M		Screw, Trigger Housing (2 Req'd)
25	1620004		Screw, Cover Rear Housing
26	See BTB spec sheet supplied with gun		Trigger Control Plug Assembly